

QR code for Installations Instructions



Fixture must be installed by a qualified electrician in accordance with all national and local electrical and construction codes and regulations. This device falls under class one and must be grounded!

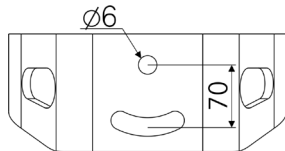


**STEP 1
CALUMMA INSTALLATION USING YOKE**

1

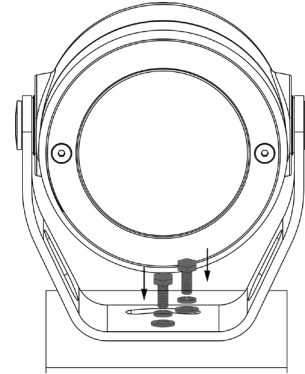


Use fasteners that are appropriate for use with your mounting surface



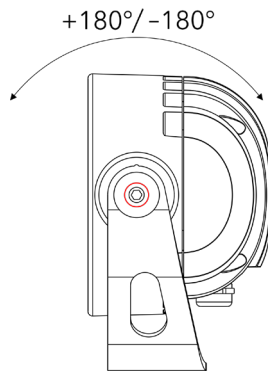
Drill the holes two into the surface according the given dimensions.

2



Fasten the Yoke of the fixture to the surface by two washers, spring washers and screws.

3



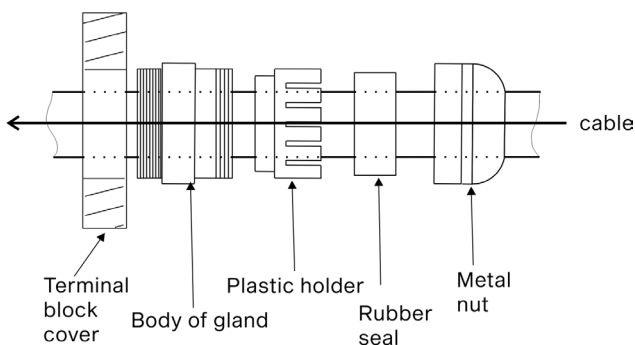
Use an Allen key to release tilting lock on each side of luminaire and adjust tilt of LED module in range of +180°/-180°.

**STEP 2
CABLE GLAND INSTALLATION**

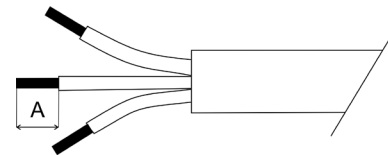
Slip the cable through the gland according to the picture below and do not assemble the gland yet.

Use wrench size 22 for cable gland M20x1.5
Use wrench size 16 for cable gland M12x1.5

Install Cable glands individually!

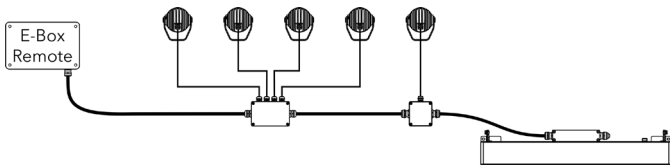


Strip these lengths for cable connections.



A	
Power Connection	9mm
Data Connection	9mm

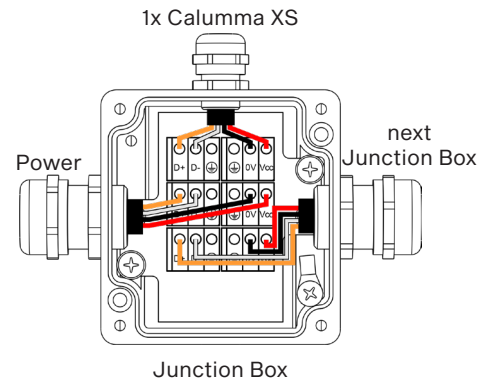
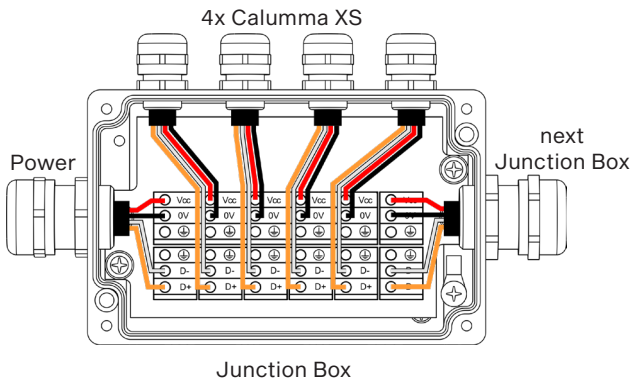
STEP 3
CALUMMA CONNECTION
(JUNCTION BOX IS NOT PART OF THE PACKAGE)



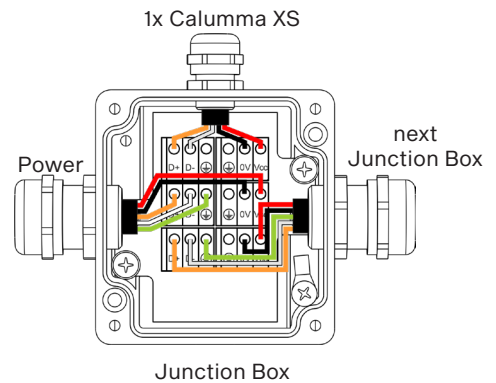
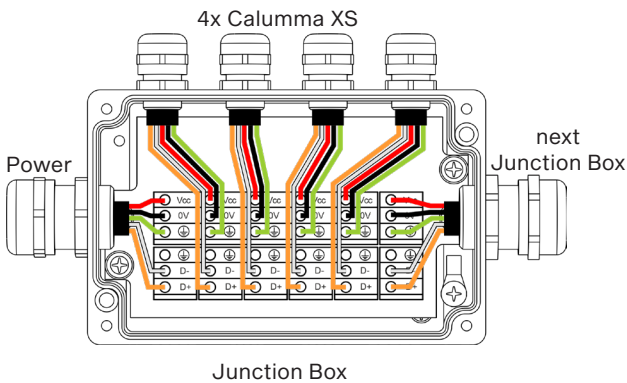
Connection – colour coding

WIRE	POWER CE	POWER US	WIRE	DATA CE	DATA US
Red	Vcc	Vcc	Orange	Data + (+)	Data + (+)
Black	0V	0V	White	Data - (-)	Data - (-)
Green/Yellow	/	⊕	/	/	/

CE color code shown

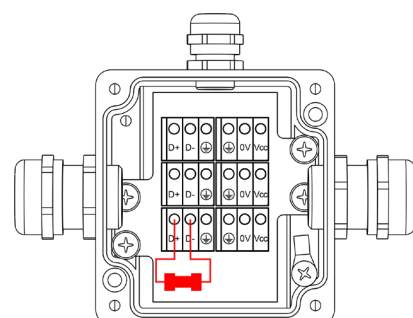
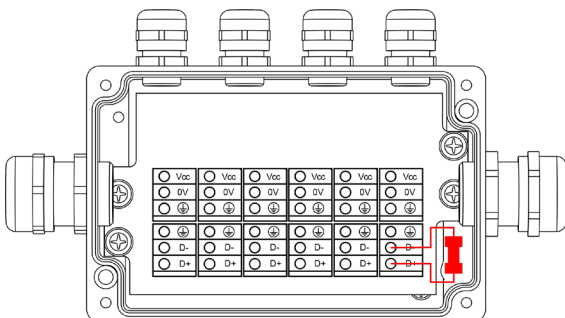


US color code shown

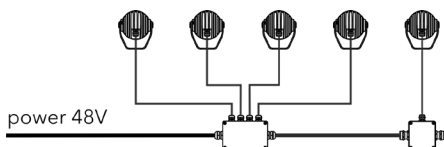


DMX connection

NOTE: Each DMX line of Calummas XS connected to the LED output of the E-box Remote has to be terminated at the last fixture. Connect a 120 Ohm resistor between terminals D+ and D- in the last fixture.



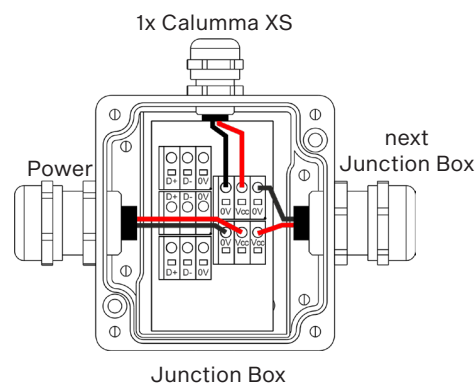
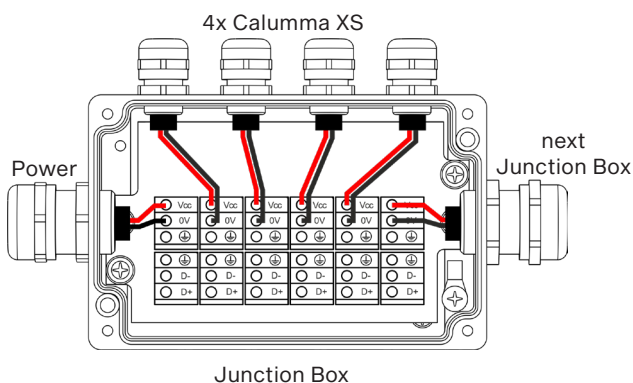
Power ON/OFF (only for Calumma SC)



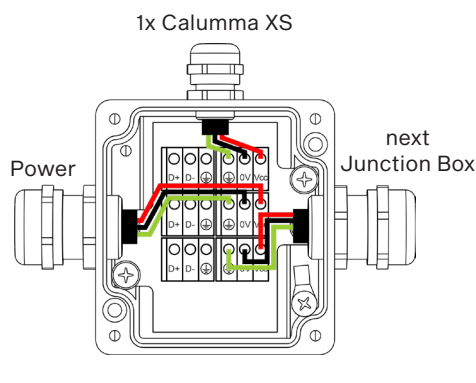
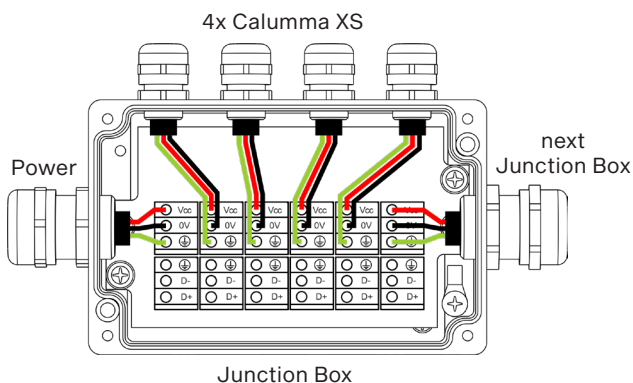
Connection – colour coding

WIRE	POWER CE	POWER US
Red	Vcc	Vcc
Black	0V	0V
Green/Yellow	/	⊕

CE color code shown



US color code shown



STEP 4
CABLE GLAND INSTALLATION

Assemble the cable gland according to the picture.

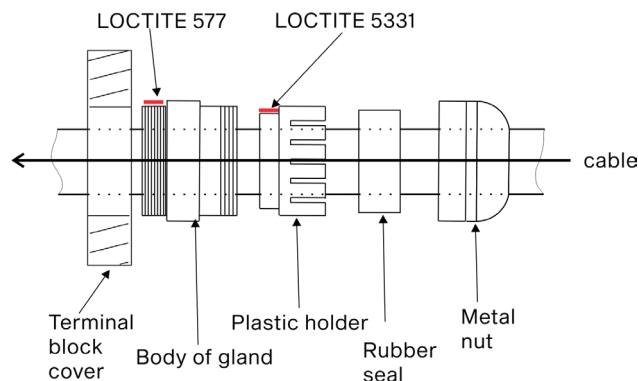
Use wrench size 22 for cable gland M20x1.5

Use wrench size 16 for cable gland M12x1.5

Install Cable glands individually!

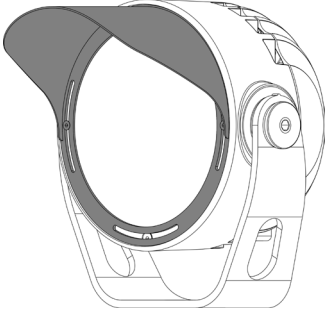
We recommend to apply an adequate layer of the paste LOCTITE 5331 on the plastic holder of the cable gland before inserting in into the body of the gland and an adequate layer of the paste LOCTITE 577 on the thread of the gland body.

Failure to properly install cable glands will result in failure of the water tight seal!

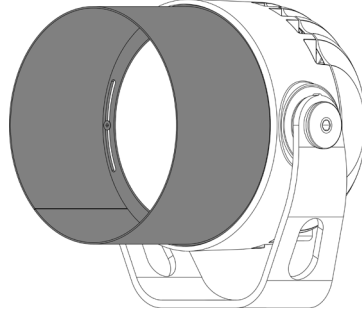


STEP 5
INSTALLATION OF ACCESSORIES

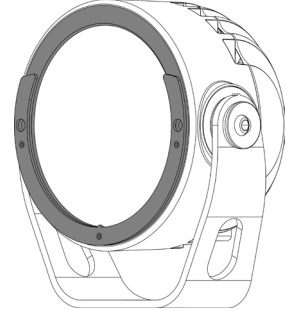
HALF TOPHAT



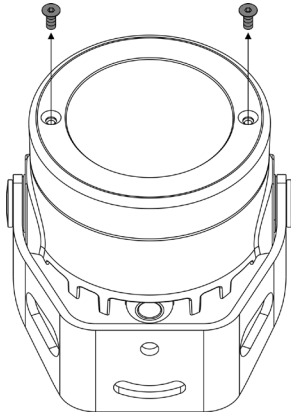
TOPHAT



OPTICAL DEMO SET

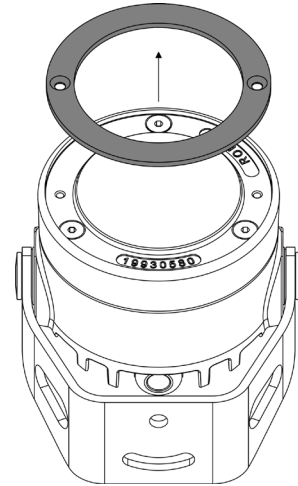


1



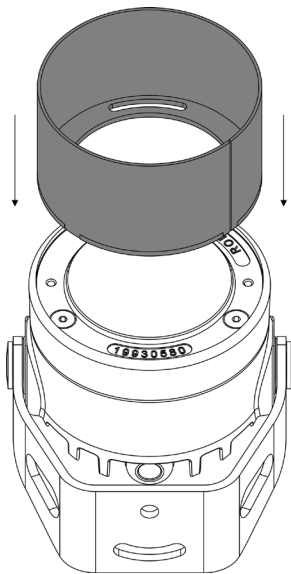
Screw-out 2 screws from the cover plate.

2



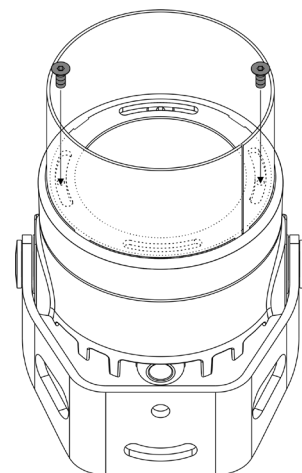
Remove the cover plate.

3



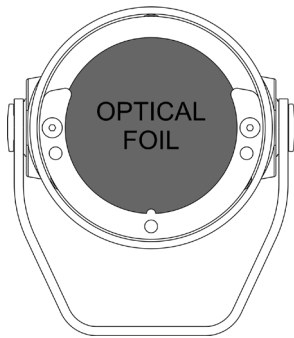
Place the accessories (TOPHAT, HALF TOPHAT, OPTICAL DEMO SET) onto luminaire and centre it.

4



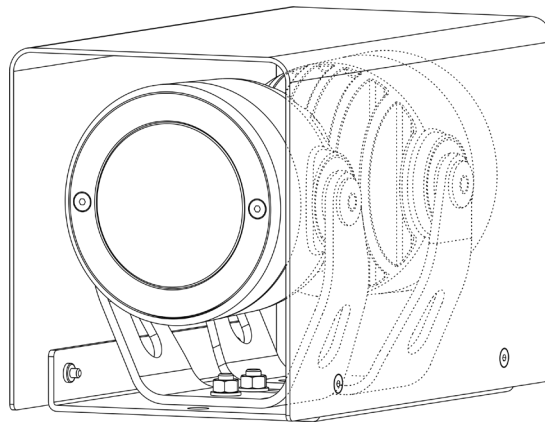
Fasten the accessories (TOPHAT, HALF TOPHAT, OPTICAL DEMO SET) to the luminaire by the 2 packed-in washers and screws.

5 Only for OPTICAL DEMO SET



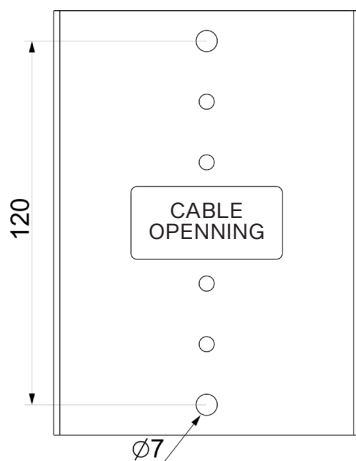
Slide the Optical foil into the space of Optical Demo Set.

TWIN WALL COVER

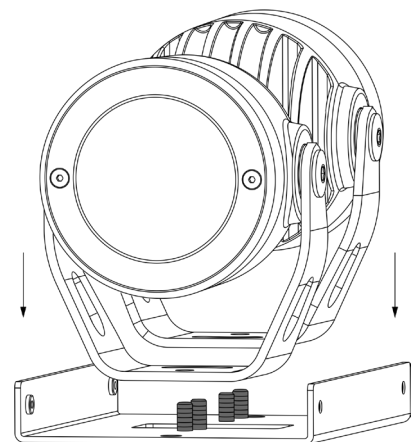


1

⚠ Use fasteners that are appropriate for use with your mounting surface ⚠



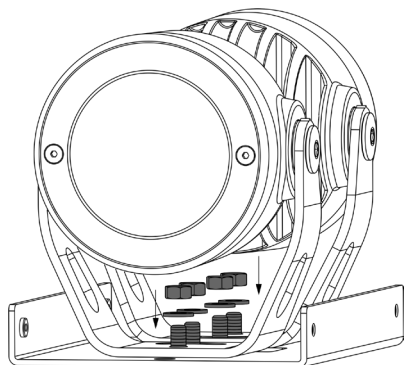
2



Prepare openings for cables in the mounting surface and two mounting holes according to the dimensions. Screw the lower part on the surface with two screws.

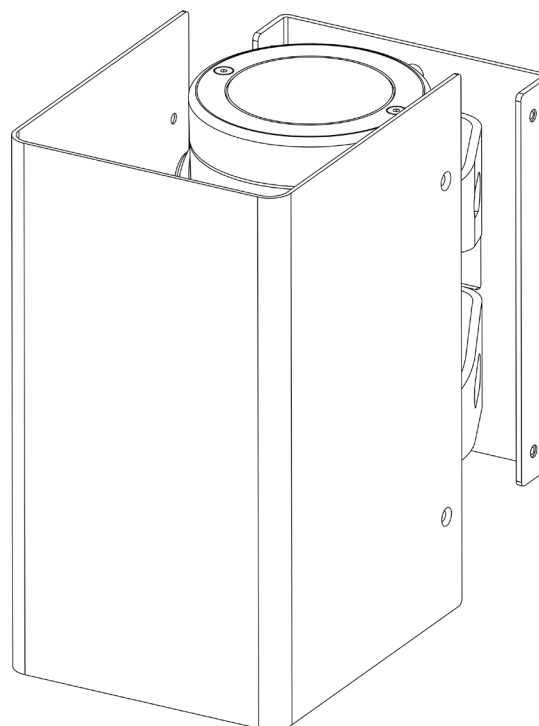
Place the luminaries on the four screws on the lower part.

3



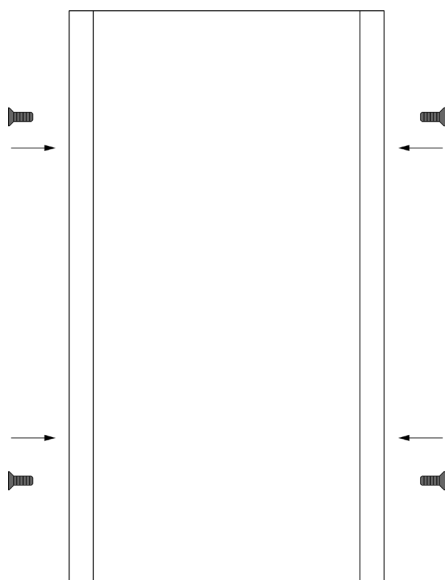
Fasten the luminaires with four nuts and washers

4



Insert the cover plate on the lower part.

5



Screw the cover plate with the lower part with four screws.