

# CALUMMA™ REMOTE S SC

Featuring an optical design using nineteen high efficacy singlechip LEDs and available with optional LED colour variants and various beam angles, the small-sized Calumma Remote S SC luminaire creates powerful and beautiful light output for a spot, accent or flood lighting solution. Its durable housing is built to withstand any exterior conditions, and its special finish for harsh and marine environments provides an exceptional outdoor LED luminaire in an elegant design. Complemented by wide range of accessories, control protocols and connection options, this luminaire is an effective and versatile unit to get the most out of architectural lighting applications.



## KEY FEATURES

### Lumen output & Light source

Luminaire with nineteen high-power, single-chip LEDs provides up to 1958 lumen output (@10°, RGBW). Multiple LED colour variants. No light spills. Well homogenised light output with great efficacy up to 65 lm/w.

### Design & Durability

Compact, durable and stylish housing made of high-pressure die cast aluminium. IP67 and IK10 certification; suitable for marine applications (Harsh Environment Finish required) and traffic applications. Supported with a 5 year warranty.

### Flexibility

Exceptional outdoor or indoor LED luminaire with a wide range of accessories, custom colour finishes, multiple light output variants and beam angles.

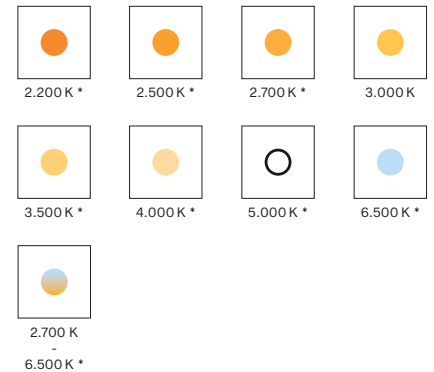
## COLOURS

\* UPON REQUEST

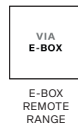


## COLOUR TEMPERATURE

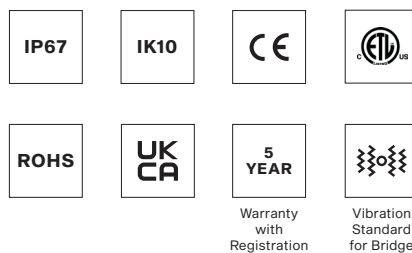
\* UPON REQUEST



## CONTROL & PROTOCOLS

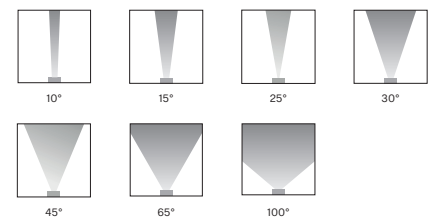


## STANDARD & SPECIFICATION

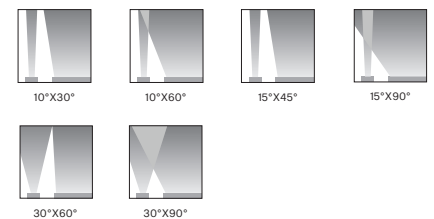


## OPTIC OPTIONS

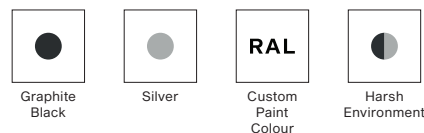
### SYMMETRICAL



### BI-SYMMETRICAL



## FINISH OPTIONS



**SPECIFICATION**

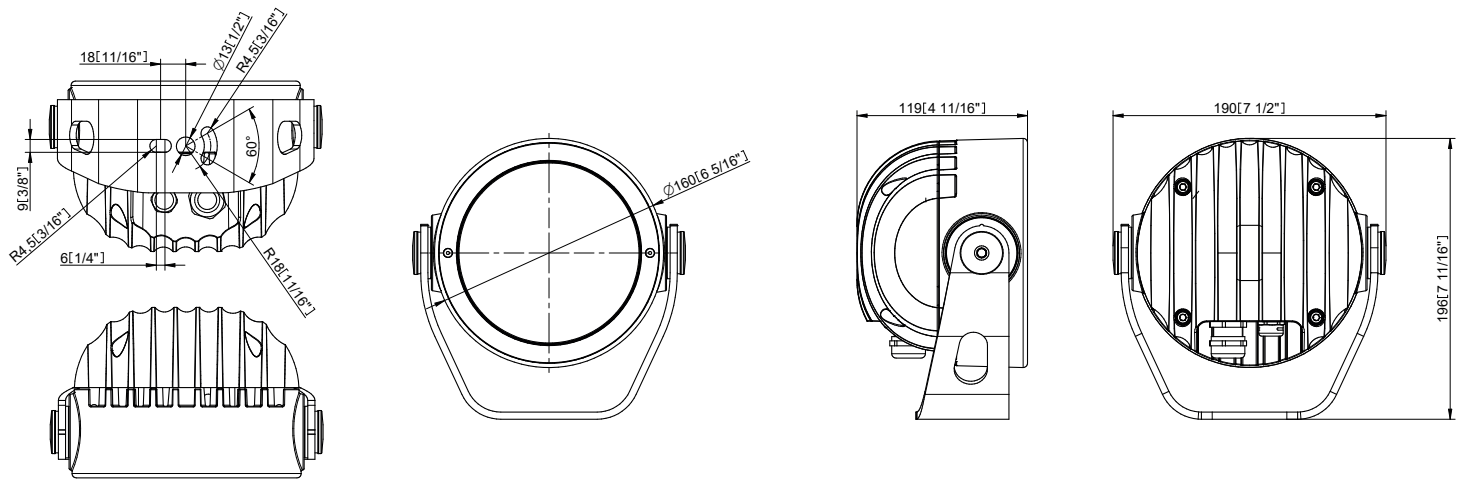
<b>ELECTRICAL</b>	Input Voltage	48 V
	Typical Power Consumption	30 W +/-10 %
<b>OPTICAL</b>	Light Source	High Power Single Chip LEDs
	Colour Variants	RGBW (W - 6500 K)   RGBA   PW (W - 3000 K)
		Other Variants On Request (TW (2700 - 6500 K), 2200 K, 2500 K, 2700 K, 3500 K, 4000 K, 5000 K, 6500 K)
	Beam Angle	10°   15°   25°   30°   45°   65°   100°
	Lumen Output Delivered	1958 lm (@ 10°, RGBW)
Projected Lumen Maintenance	L90B10 >90.000 hrs, Ta = 25°C / 77°F	
<b>CONTROL</b>	Interface Protocol	Via E-box Remote, E-box Remote Basic or E-Box Remote Basic Mini
	E-Box Remote control protocol	USITT DMX512/RDM, ArtNet, MA Net, MA Net2, sACN, Kling-Net
	Settings / Addressing	Via Two Row LCD Display with Control Buttons on E-Box Remote or RDM communicator
	Power Supply	Via E-Box Remote range
<b>PHYSICAL</b>	Width x Height x Depth	189 x 196 x 119 mm (7.4 x 7.7 x 4.7 in.)
	Weight	3.45 kg   7.6 lbs
	Housing	High Pressure Die-Cast Aluminium Body
		Tempered Glass
	Finish Options	Standard Colour - Graphite Black (RAL 9011)   Silver (RAL 9006)
		Cost Option - Custom RAL   Harsh Environment (RAL 9016, RAL 9011)
	Cables / Connections	<b>IN</b> - 1 m cable with bare end - Other cable length - custom - Junction box - optional
	Mounting Method	Yoke or Yoke for Pole Adaptor
	Adjustability	+180° / -180°
	Protection Factor	IP67 / Suitable For Wet Locations
	IK Rating	IK10
Cooling System	Convection	
Operating Ambient Temperature	-20 °C / +50 °C (-4 °F / +122 °F)	
<b>CERTIFICATION</b>	Listings	ETL / cETL, CE, RoHS, UKCA
<b>ACCESSORIES</b>	<b>Not Included Items</b>	
		Junction Box for Calumma XS
		Optical Demo Set for Calumma S
		Top Hat Calumma S
		Half Top Hat Calumma S
		Tenon Adaptor for Calumma S
		Floor Stand for Calumma S, M
	Pole Adaptor (ø 102mm) (Yoke for Pole Adaptor Required)	

PROJECTED AREA

	Front (rear) - m <sup>2</sup>	Front (rear) ft <sup>2</sup>	Side - m <sup>2</sup>	Side - ft <sup>2</sup>	Top - m <sup>2</sup>	Top - ft <sup>2</sup>
<b>Calumma S</b>	0,023	0,250	0,019	0,207	0,018	0,196
<b>with Top Hat</b>	0,023	0,250	0,027	0,290	0,027	0,290
<b>with Half Top Hat</b>	0,023	0,250	0,022	0,232	0,027	0,290

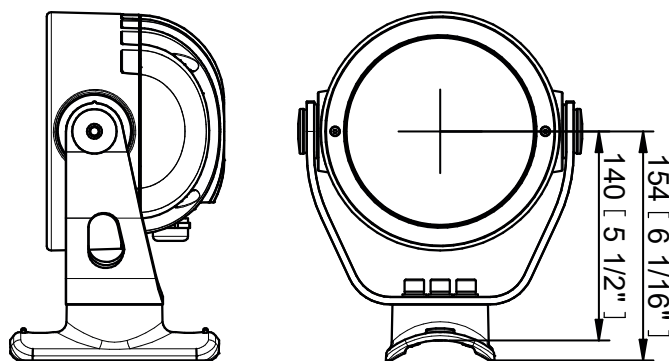
DIMENSIONS

Standard Yoke



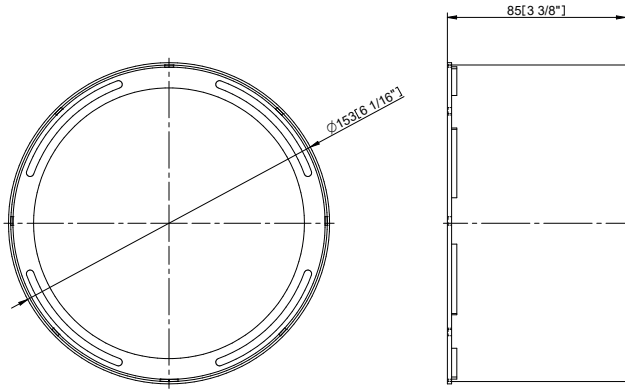
Yoke for Pole Adaptor (with Pole Adaptor / PA)

Example of ordering code: Calumma Remote S SC RGBCW 15° PA

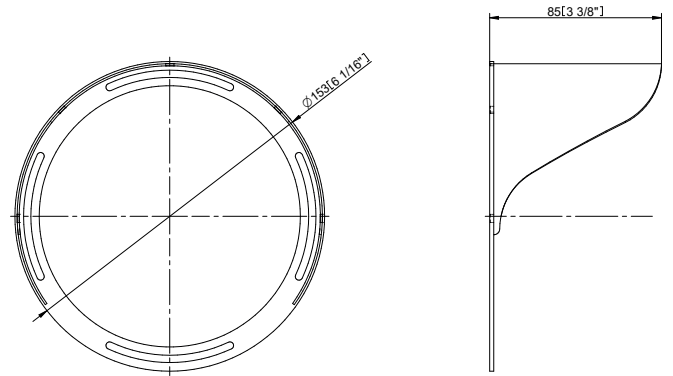


ACCESSORIES

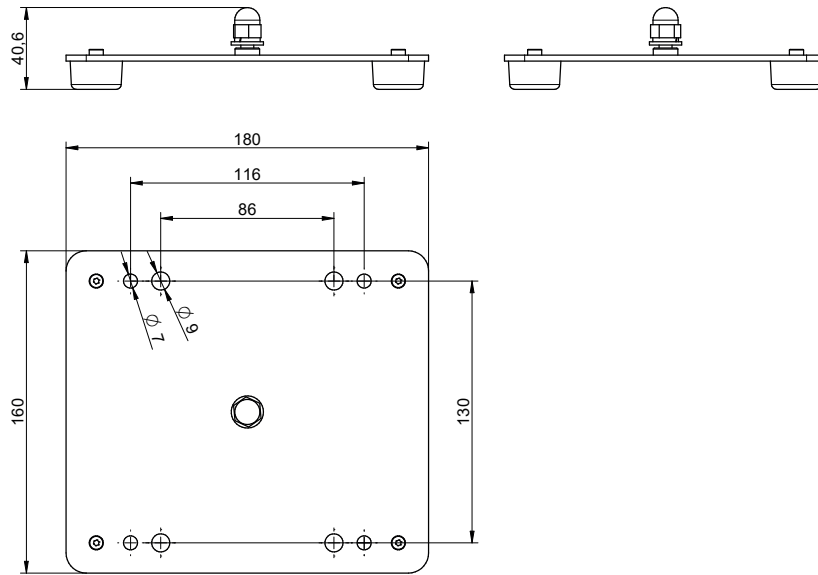
Top Hat



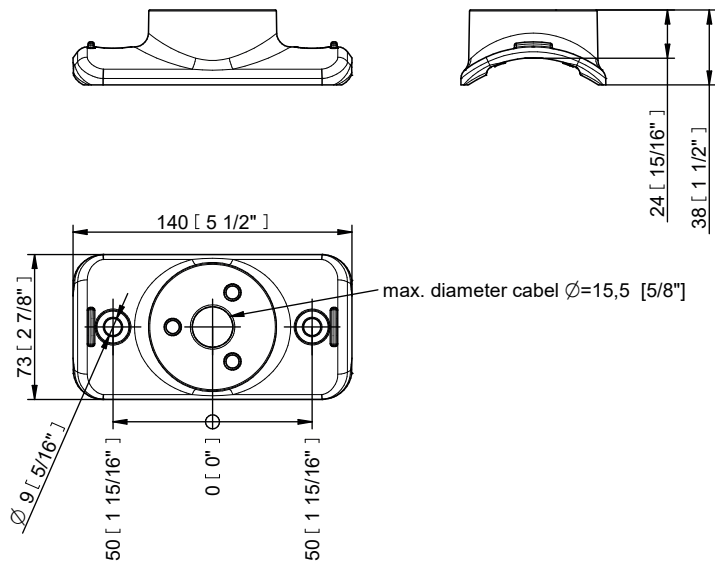
Half Top Hat



Floor Stand

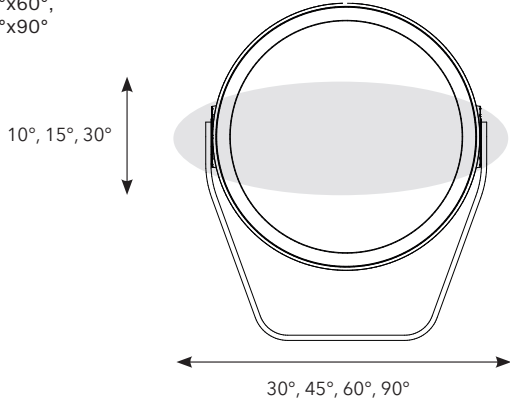


Pole Adaptor

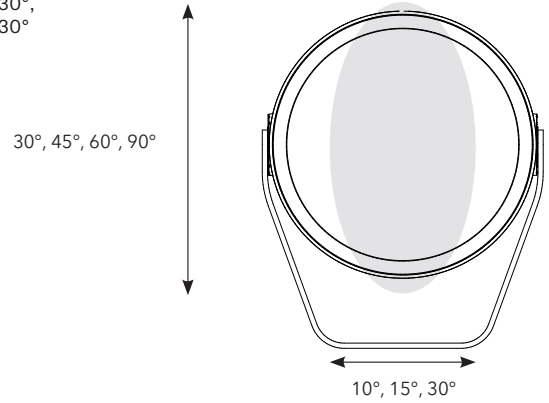


**BI-SYMMETRICAL BEAM ANGLES**

Bi-symmetrical:  
10°x30°,  
10°x60°,  
15°x45°,  
15°x90°,  
30°x60°,  
30°x90°



Bi-symmetrical:  
30°x10°,  
60°x10°,  
45°x15°,  
90°x15°,  
60°x30°,  
90°x30°



**PHOTOMETRIC OVERVIEW**

Lumen Output (lm)

	RGBCW (W 6500 K)	RGBA	WW (W 3000 K)
10°	1958	1373	2424
15°	1784	1251	2208
25°	1744	1223	2159
30°	1712	1200	2119
45°	1748	1226	2164
65°	1713	1201	2120
100°	1735	1217	2148
10° x 30°, 30° x 10°	1723	1208	2133
10° x 60°, 60° x 10°	1714	1202	2122
15° x 45°, 45° x 15°	1789	1254	2215
30° x 60°, 60° x 30°	1704	1195	2109
30° x 90°, 90° x 30°	1606	1126	1988
15° x 90°, 90° x 15°	1687	1183	2088

**CONNECTION**

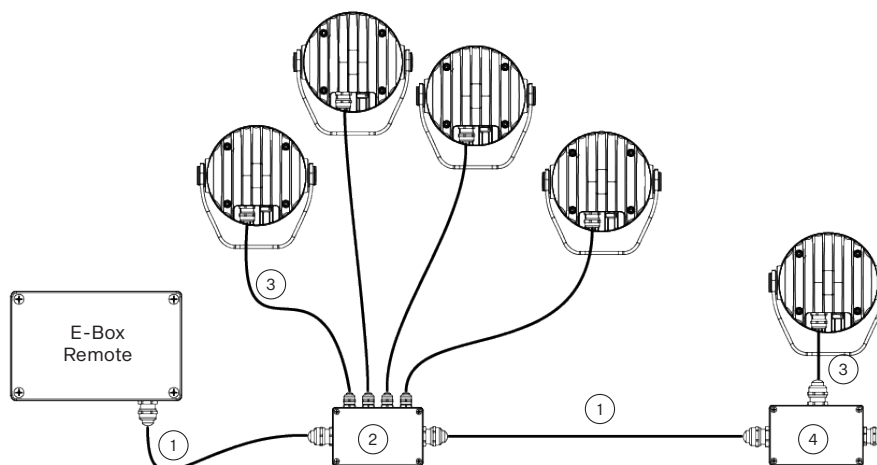
The table states max. number of Calumma Remote S modules connected to the E-box Remote or Remote Basic.

Cable length (m)	Max. number of Calumma Remote S connected to the E-Box Remote or Remote Basic
	CALUMMA REMOTE S
25	13
50	10
75	8
100	6

**CONTROL AND CONNECTION OPTIONS**

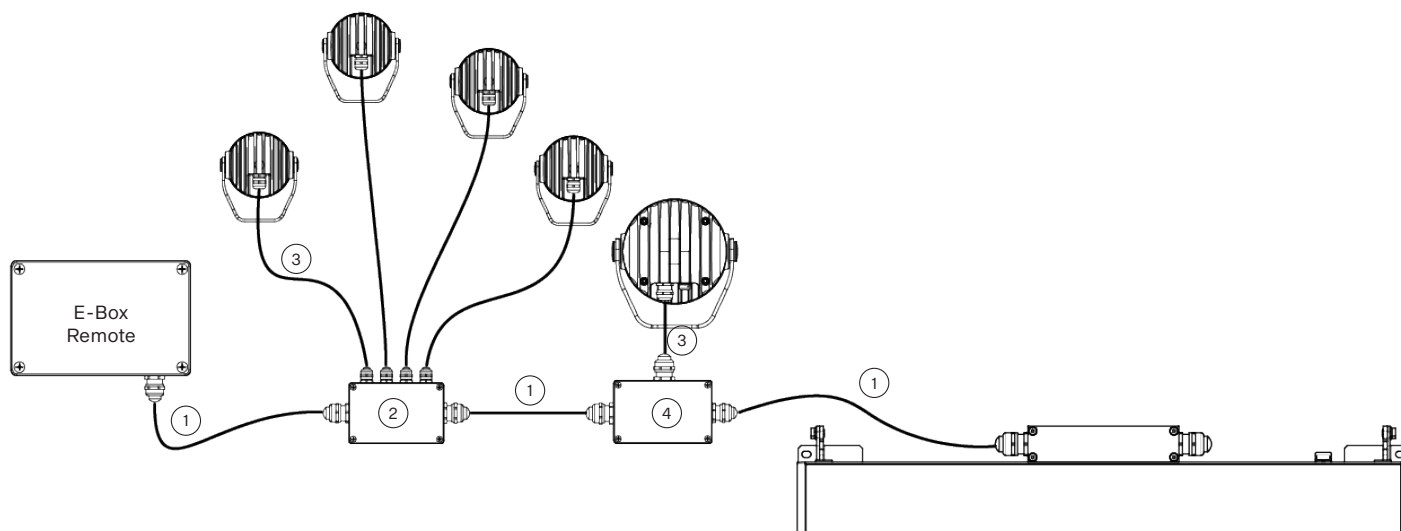
**Via E-Box REMOTE (Calumma Remote S)**

- 1) SJTW 5x 14AWG (1305 3336), black or On request Cable SJTW 5x 14AWG (13053697), white
- 2) Junction Box for Calumma XS, (4x Output)
- 3) UL 20969 5x 20AWG (13053481), black or On request Cable SJTW 5x 20AWG (13053696), white
- 4) Junction Box for Calumma XS, (1x Output)



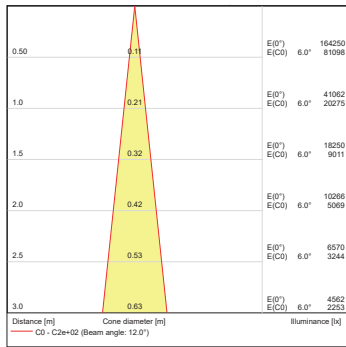
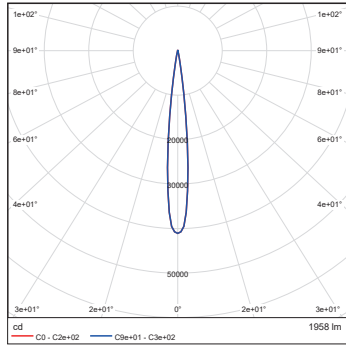
**Via E-Box REMOTE (Calumma XS, Calumma Remote S, Eminere Remote)**

- 1) SJTW 5x 14AWG (1305 3336), black or On request Cable SJTW 5x 14AWG (13053697), white
- 2) Junction Box for Calumma XS, (4x Output)
- 3) UL 20969 5x 20AWG (13053481), black or On request Cable SJTW 5x 20AWG (13053696), white
- 4) Junction Box for Calumma XS, (1x Output)

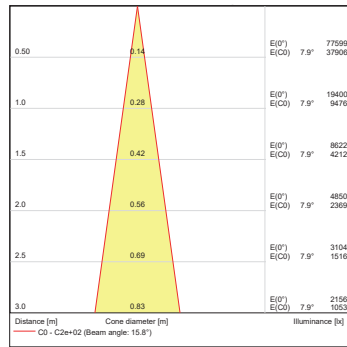
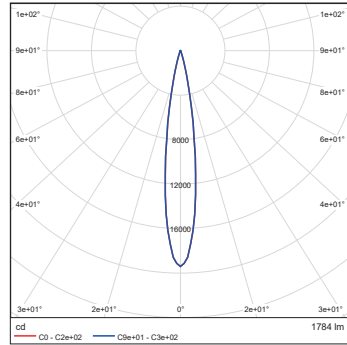


PHOTOMETRIC DATA

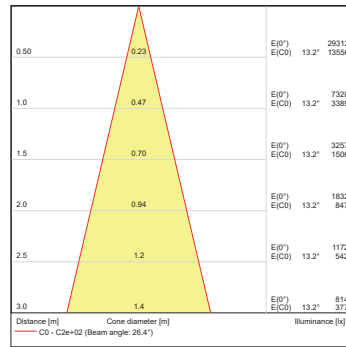
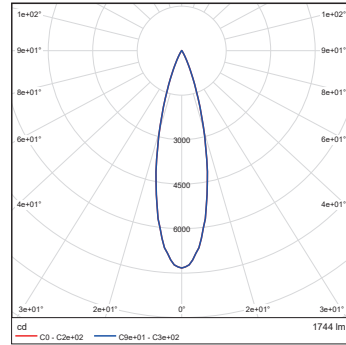
Calumma S SC RGBW 6500K 10dg



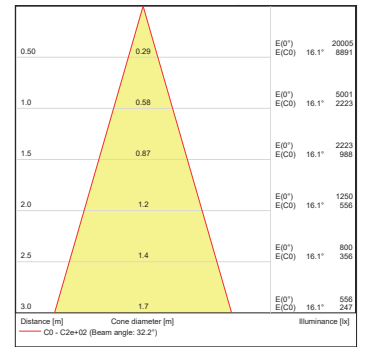
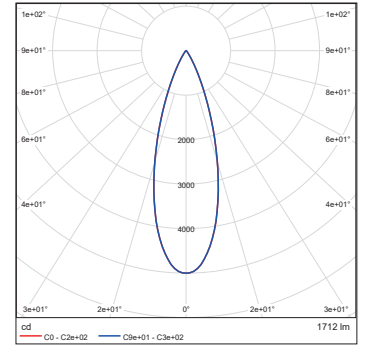
Calumma S SC RGBW 6500K 15dg



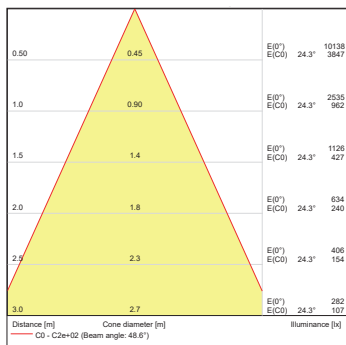
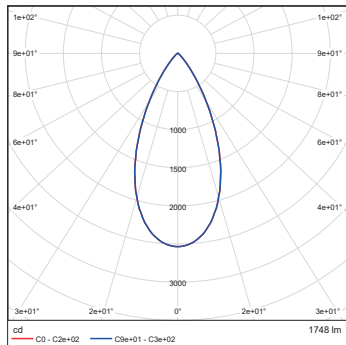
Calumma S SC RGBW 6500K 25dg



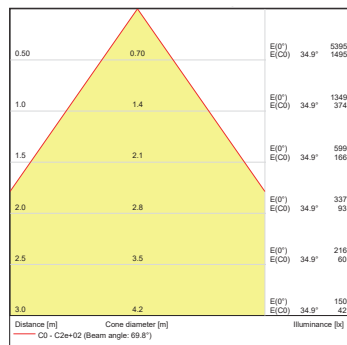
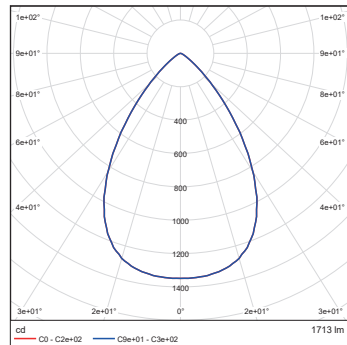
Calumma S SC RGBW 6500K 30dg



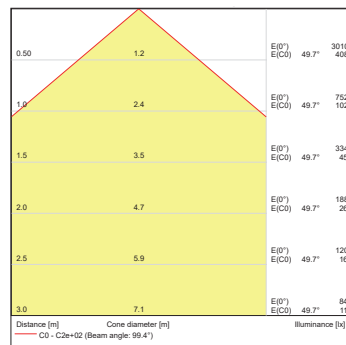
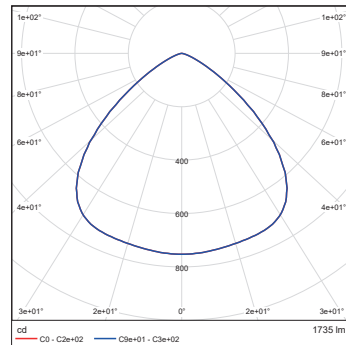
Calumma S SC RGBW 6500K 45dg



Calumma S SC RGBW 6500K 65dg

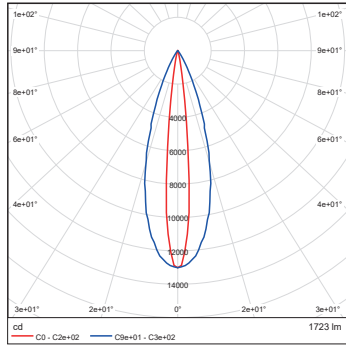


Calumma S SC RGBW 6500K 100dg



PHOTOMETRIC DATA

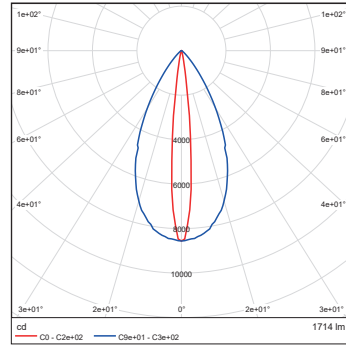
Calumma S SC RGBW 6500K  
10x30dg



Distance [m]	Cone diameter [m]	E(0°)	E(C90)	E(C0)	Illuminance [lx]
0.50	0.31 0.10	52038	16.7° 22976	5.6° 20032	
1.0	0.60 0.20	13010	16.7° 6744	5.6° 6508	
1.5	0.90 0.29	5782	16.7° 2553	5.6° 2892	
2.0	1.2 0.39	3252	16.7° 1436	5.6° 1627	
2.5	1.5 0.49	2082	16.7° 919	5.6° 1041	
3.0	1.8 0.59	1446	16.7° 638	5.6° 723	

Distance [m] Cone diameter [m]  
 — C0 - C2e+02 (Beam angle: 11.2°)  
 — C0e+01 - C3e+02 (Beam angle: 33.4°)

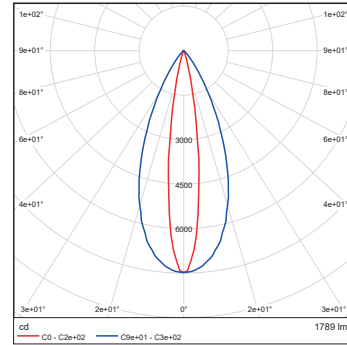
Calumma S SC RGBW 6500K  
10x60dg



Distance [m]	Cone diameter [m]	E(0°)	E(C90)	E(C0)	Illuminance [lx]
0.50	0.48 0.15	34224	26.3° 12377	5.6° 16942	
1.0	0.99 0.20	8566	26.3° 3094	5.6° 4236	
1.5	1.5 0.29	3803	26.3° 1375	5.6° 1852	
2.0	2.0 0.39	2138	26.3° 774	5.6° 1059	
2.5	2.5 0.49	1369	26.3° 496	5.6° 676	
3.0	3.0 0.59	951	26.3° 344	5.6° 471	

Distance [m] Cone diameter [m]  
 — C0 - C2e+02 (Beam angle: 11.2°)  
 — C0e+01 - C3e+02 (Beam angle: 52.6°)

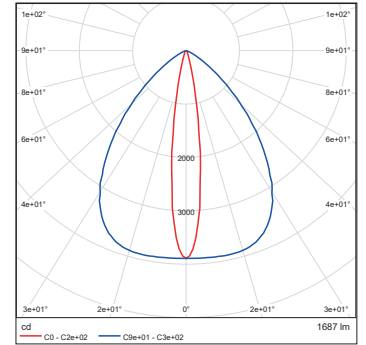
Calumma S SC RGBW 6500K 15x45dg



Distance [m]	Cone diameter [m]	E(0°)	E(C90)	E(C0)	Illuminance [lx]
0.50	0.48 0.14	29916	22.0° 11992	7.8° 14753	
1.0	0.81 0.27	7479	22.0° 2968	7.8° 3688	
1.5	1.2 0.41	3234	22.0° 1332	7.8° 1639	
2.0	1.6 0.55	1870	22.0° 749	7.8° 922	
2.5	2.0 0.68	1197	22.0° 480	7.8° 590	
3.0	2.4 0.82	831	22.0° 333	7.8° 410	

Distance [m] Cone diameter [m]  
 — C0 - C2e+02 (Beam angle: 15.6°)  
 — C0e+01 - C3e+02 (Beam angle: 44.0°)

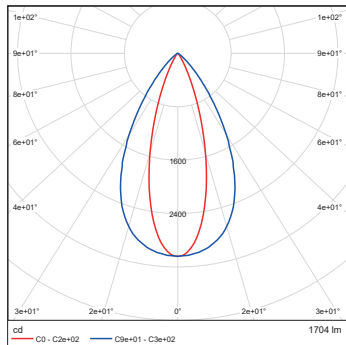
Calumma S SC RGBW 6500K 15x90dg



Distance [m]	Cone diameter [m]	E(0°)	E(C90)	E(C0)	Illuminance [lx]
0.50	0.88 0.14	15566	41.3° 3325	7.9° 7013	
1.0	1.8 0.28	3892	41.3° 831	7.9° 1903	
1.5	2.6 0.42	1720	41.3° 369	7.9° 846	
2.0	3.5 0.56	973	41.3° 208	7.9° 476	
2.5	4.4 0.69	623	41.3° 133	7.9° 305	
3.0	5.3 0.83	432	41.3° 92	7.9° 211	

Distance [m] Cone diameter [m]  
 — C0 - C2e+02 (Beam angle: 15.6°)  
 — C0e+01 - C3e+02 (Beam angle: 82.6°)

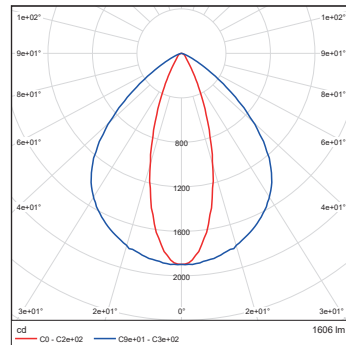
Calumma S SC RGBW 6500K  
30x60dg



Distance [m]	Cone diameter [m]	E(0°)	E(C90)	E(C0)	Illuminance [lx]
0.50	0.58 0.28	12167	29.9° 3974	15.7° 5456	
1.0	1.2 0.56	3042	29.9° 993	15.7° 1364	
1.5	1.7 0.84	1352	29.9° 442	15.7° 606	
2.0	2.3 1.1	760	29.9° 248	15.7° 341	
2.5	2.9 1.4	487	29.9° 159	15.7° 218	
3.0	3.5 1.7	338	29.9° 110	15.7° 152	

Distance [m] Cone diameter [m]  
 — C0 - C2e+02 (Beam angle: 31.4°)  
 — C0e+01 - C3e+02 (Beam angle: 59.8°)

Calumma S SC RGBW 6500K  
30x90dg



Distance [m]	Cone diameter [m]	E(0°)	E(C90)	E(C0)	Illuminance [lx]
0.50	1.0 0.31	7589	45.3° 1525	17.0° 3327	
1.0	2.0 0.61	1897	45.3° 331	17.0° 832	
1.5	3.0 0.92	843	45.3° 147	17.0° 370	
2.0	4.0 1.2	474	45.3° 83	17.0° 208	
2.5	5.1 1.5	304	45.3° 53	17.0° 133	
3.0	6.1 1.8	211	45.3° 37	17.0° 92	

Distance [m] Cone diameter [m]  
 — C0 - C2e+02 (Beam angle: 34.0°)  
 — C0e+01 - C3e+02 (Beam angle: 90.6°)