

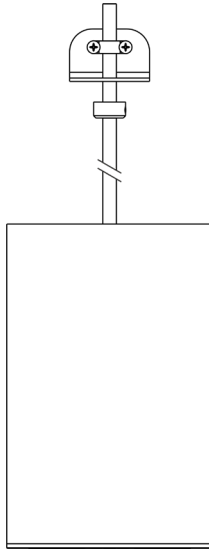
QR code for Installations Instructions



The unit must be installed by a qualified electrician in accordance with all national and local electrical and construction codes and regulations.

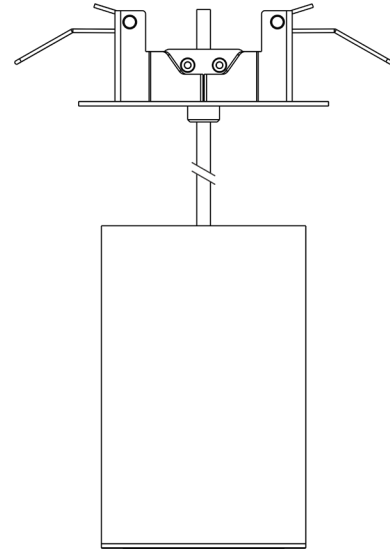


A



Standard mounting

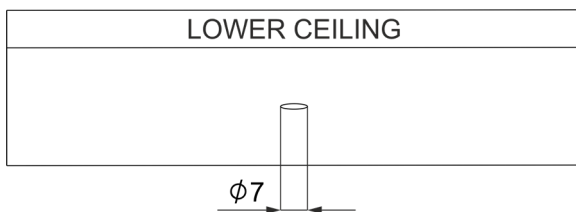
B



Mounting with Spring clips Adaptor

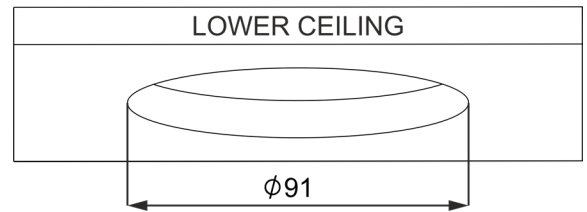
STEP 1A/B
CEILING OPENING

A



Prepare mounting hole with diameter of 7mm for Standard mounting

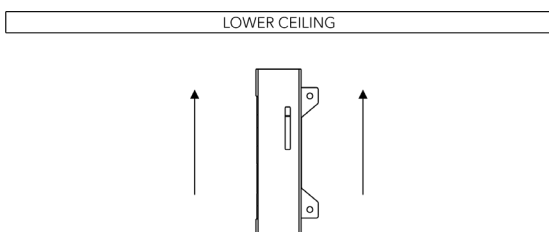
B



Prepare mounting hole with diameter of 91mm for Mounting with Spring clips Adaptor. Thickness of the lower ceiling has to be in range of 10-22mm.

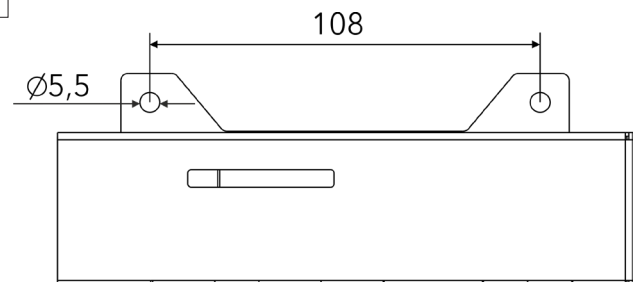
STEP 2A/B
CONTROL UNIT MOUNTING

1



Place control unit above the ceiling.

2



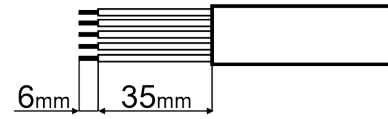
Mount the control unit to ceiling via two mounting holes and suitable fasteners.

STEP 3A/B
PREPARE CONNECTION

1

Shorten power/data cable to required length.

2



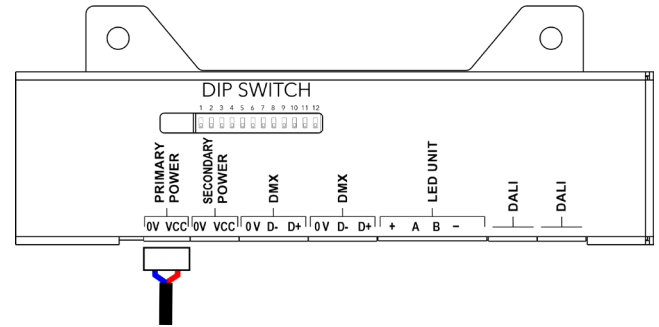
Strip these lengths of cable for wiring connection.

STEP 4A/B
PRIMARY POWER CONNECTION

SECONDARY POWER CONNECTION

TERMINAL BLOCK	0V	VCC
Colour of Wire	Power -	Power +

Install terminal block to power cable (from Ambiane Power Rack or Ambiane Power AP) and connect it to Primary power socket of the control unit.



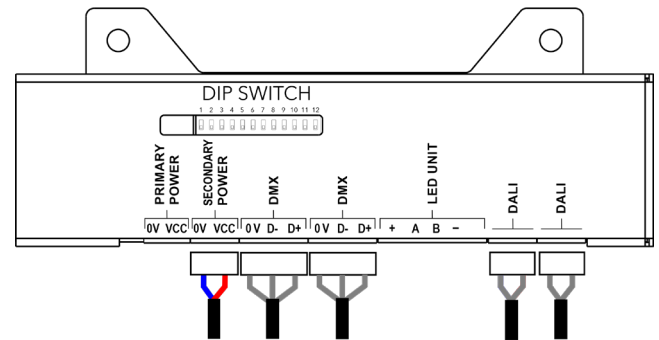
STEP 5A/B
DATA (DMX OR DALI) AND SECONDARY POWER CABLES CONNECTION

SECONDARY POWER CONNECTION

TERMINAL BLOCK	0V	VCC
Colour of Wire	Power -	Power +

DMX CONNECTION

TERMINAL BLOCK	0V	D-	D+
Function	Data Ground	Data -	Data +

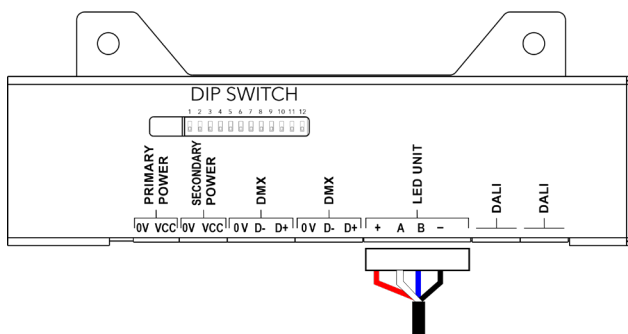


Install terminal blocks on SECONDARY POWER and DATA cables and connect them to the control unit. Set the DIP switches to positions according to your operation mode. The fixture can be controlled by DMX or DALI (switch 11 in OFF position).

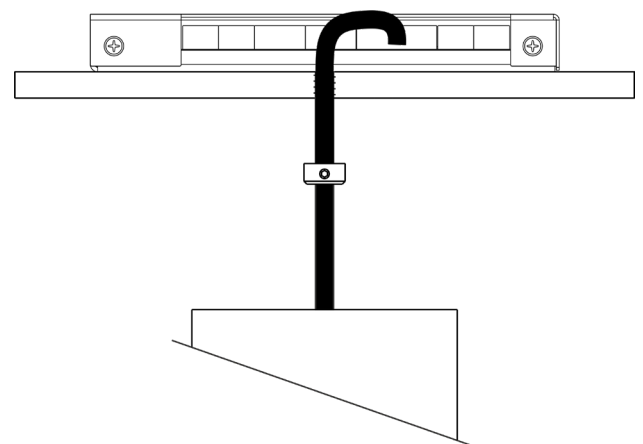
STEP 6A
LED UNIT CONNECTION

LED Unit Connection

TERMINAL BLOCK	+	A	B	-
Colour of Wire	Red	White	Blue	Black



Pull the cable through the hole. Install terminal block on LED unit's cable and connect it to the control unit.

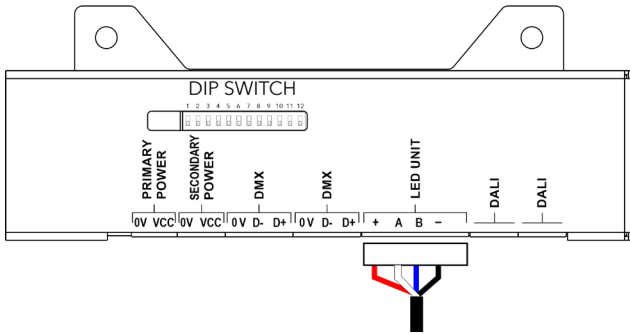


STEP 6B
LED UNIT CONNECTION

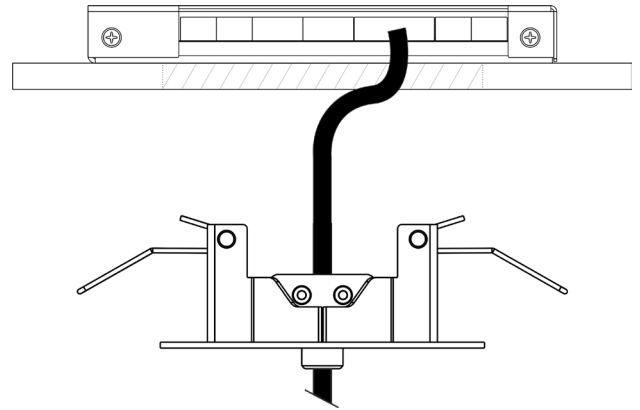
1

LED Unit Connection

TERMINAL BLOCK	+	A	B	-
Colour of Wire	Red	White	Blue	Black



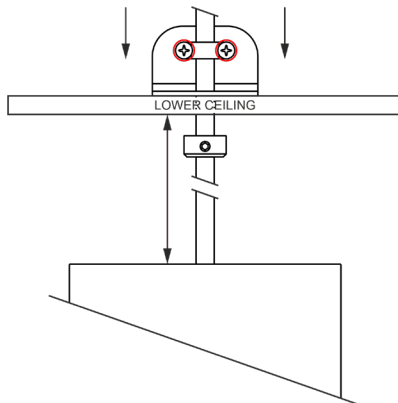
⚠ Connected luminaire before installation. ⚠



Pull the cable through the hole. Install terminal block on LED unit's cable and connect it to the control unit.

STEP 7A
AMBIANE MOUNTING

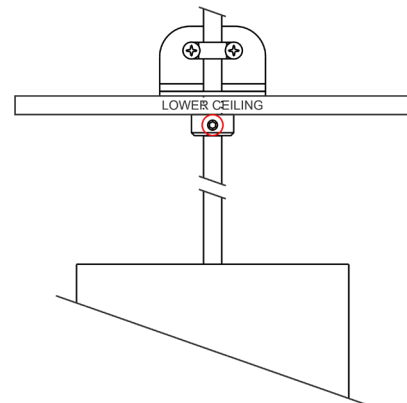
1



Adjust the suspension length, insert the base onto the cable and tighten by the two screws.

NOTE: It is possible to adjust the length using the Hole cover and tighten above the lower ceiling.

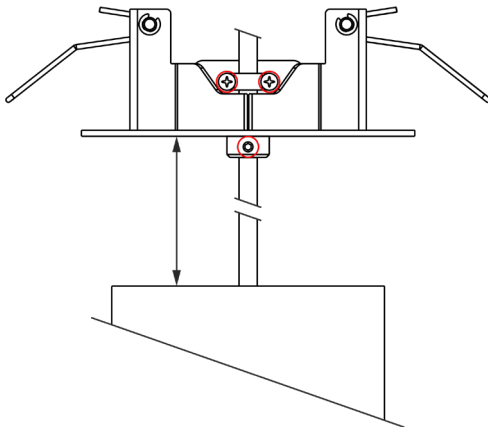
2



Tighten the Hole cover by the setscrew.
IMPORTANT! Tighten the setscrew with caution to not damage wires in the cable.

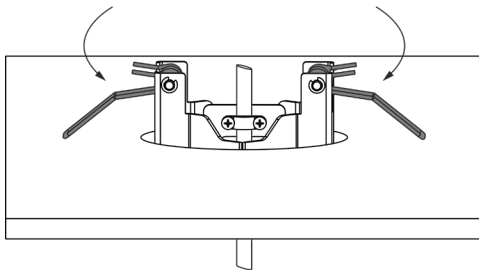
STEP 7B
AMBIANE MOUNTING

1



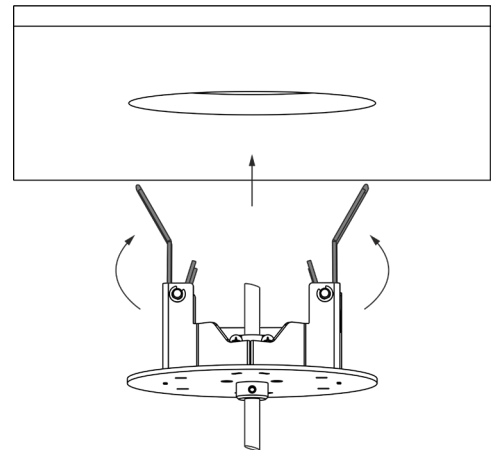
Adjust the suspension length and tighten by the two screws and by the one setscrew on Hole cover.
IMPORTANT! Tighten the setscrew with caution to not damage wires in the cable.

3



Release spring clips to hold luminaire in place.

2



Lift up spring clips on both sides. Insert luminaire into ceiling opening.