

UVINERE 2 / 4

An excellent solution for theme parks and entertainment venues where an attention grabbing UV effect is required, UVinere produces a true black light effect. Available in 2-foot or 4-foot models, UVinere evenly distributes UV output with a wavelength of 365 nm for a wide range of installations and designs. Utilising a powered E-Box, control for the UVinere is made possible over DMX (wired or wireless) or Ethernet protocols. Consistent with the design quality of the entire Anolis product portfolio, the UVinere range is robust and extremely durable with IP67 and IK06 ratings.



KEY FEATURES

Optics & Control

With a wavelength of 365 nm, UVinere provides UV black light using 10,000-hour lifetime LEDs which can be powered by E-Box, and utilises DMX (wired or wireless) or ethernet protocols for control.

Physical

UVinere is available in two physical models; 2-foot and 4-foot LED luminaires. This fixture is easily installed with the simplicity of a "plug and play" connection.

Durability

Robust and durable, UVinere fulfills both IP67 and IK06 certification, backed by a 2-year warranty.

COLOURS



CONTROL & PROTOCOLS



FINISH OPTIONS



OPTIC OPTIONS

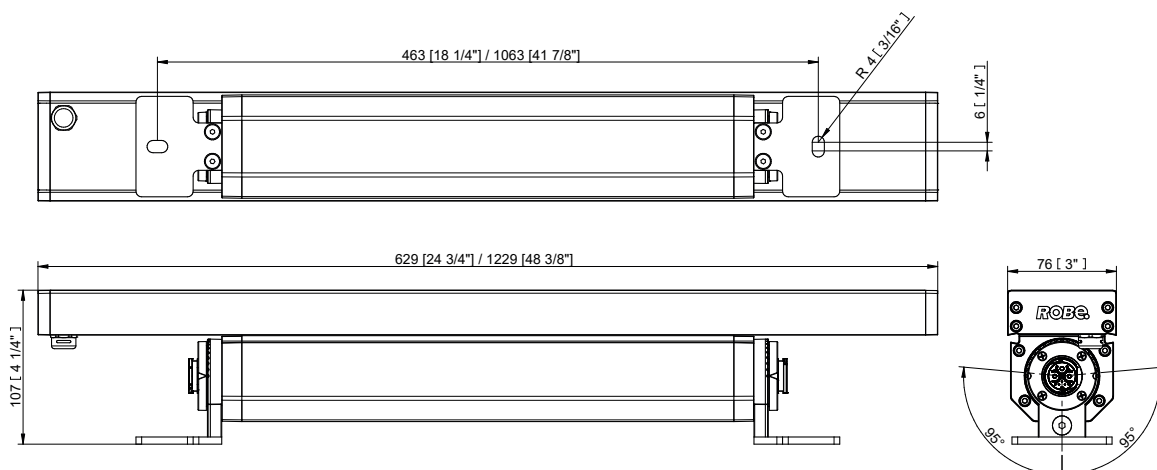


STANDARD & SPECIFICATION



Warranty

DIMENSIONS



UVINERE SPECIFICATION

ELECTRICAL	Input Voltage	120 - 277 V AC 50/60 Hz	
	Typical Power Consumption	UVinere 2: 45 W	UVinere 4: 85W
OPTICAL	Light Source	UVinere 2: 16 x UV LEDs	UVinere 4: 32 x UV LEDs
	UV LEDs Wave Length	365 nm	
	Beam Angle	Optic: 38° Non-optic: 120°	
	LEDs lifetime	10.000 hrs	
CONTROL	Interface Protocol	Via E-Box range or Wireless DMX	
	E-Box Control Protocols	E-box With Self Addressing Feature or Custom Setting Via LCD Display	
	Wireless DMX (Option)	Lumen Radio CRMX Technology	
	Settings / Addressing	Via Two Row LCD Display with Control Buttons or RDM communicator	
	Power Supply	Integrated	
	Connectivity	E-box Lite / Daisy / Star	78 of UVinere 2 (@ 230 V and 30m cable) via 1 Output
PHYSICAL	Width x Height x Length	UVinere 2	76 x 107 x 629 mm (2.99 x 3.58 x 24.76 in.)
		UVinere 4	76 x 107 x 1229 mm (2.99 x 3.58 x 48.38 in.)
	Weight	UVinere 2: 4.05 kg 8.92 lbs	UVinere 4: 7.68 kg 16.93 lbs
	Housing	High Pressure Extruded Aluminium Body End Caps - Die-Cast Aluminium Tempered Glass	
	Finish Options	Standard Colour - Graphite Black (RAL 9011) Silver (RAL 9006)	
		Cost Option - Custom RAL Harsh Environment (RAL 9016, RAL 9011)	
	Connections	IP67 Hybrid Connection (Power + Data)	
	Mounting Method	Surface Mount With Different Type of Brackets	
	Adjustability	+/- 95°	
	Protection Factor	IP67 / Suitable For Wet Locations	
	IK Rating	IK06	
	Cooling System	Convection	
	Operating Ambient Temperature	-20 °C / +40 °C (-4 °F / +104 °F)	
	Operating Temperature	+67 °C @ Ambient +40 °C (+176 °F @ Ambient +104 °F)	
CERTIFICATION	Listings	CE, RoHS, UKCA	
ACCESSORIES	Not Included Items		
	Mounting Brackets	Mounting Bracket 50 100 200 300 mm Custom length	
	Optical	Black Glass Adaptor For UVinere 2 4	
	Cabels	Leader Cable 2m 5m 10m 25m 50m	
		Jumper Cable 0.25m 0.5m 1m 2m 3m 5m 10m	
	Connectors	Field Installable Connector	
		Waterproof End Cap	
	Cable Covers	Cable Cover For Eminere 2 4	
Shields	Shield For Eminere 2 4		

PROJECTED AREA

	Front (rear) - m ²	Front (rear) ft ²	Side - m ²	Side - ft ²	Top - m ²	Top - ft ²
UVinere 2	0,045	0,484	0,007	0,075	0,048	0,516
UVinere 4	0,100	1,076	0,007	0,075	0,094	1,011

E-BOX SPECIFICATION

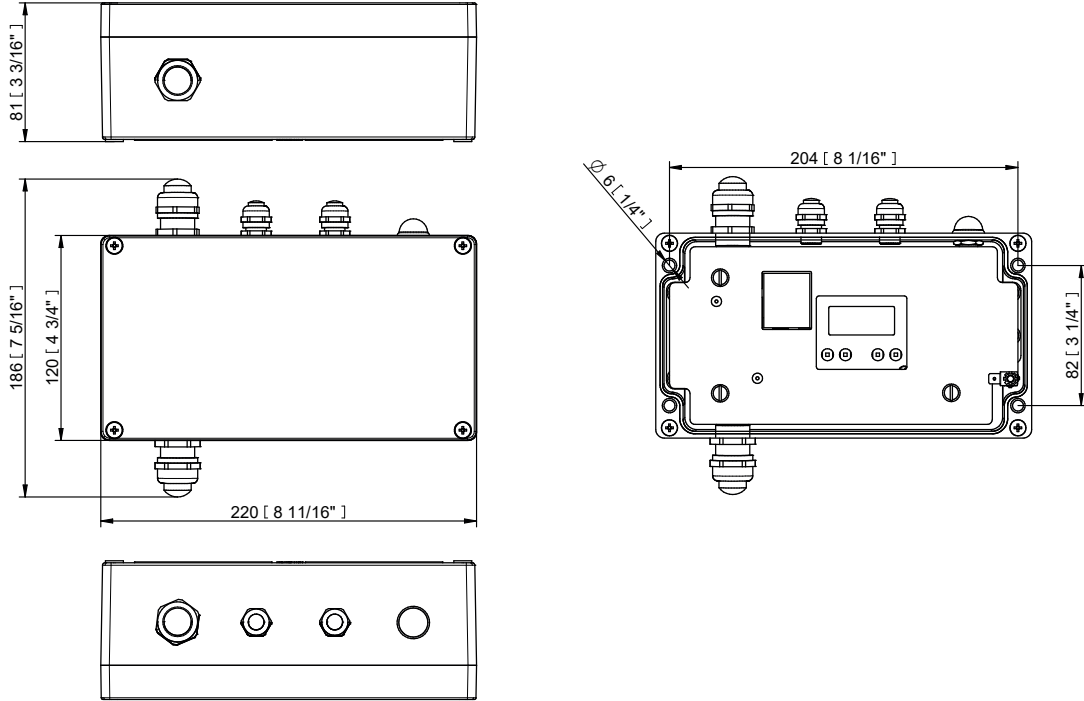
ELECTRICAL	Input Voltage	120 – 277 V AC 50/60 Hz		
	Wireless DMX (Option)	Lumen Radio CRMX Technology		
	Interface Protocol	E-box Lite: USITT DMX512, RDM		
		E-box Daisy / Star: USITT DMX512, RDM, ArtNet, MA Net, MA Net2, sACN, Kling-Net		
Operating Modes	E-box Lite / Daisy: Fixture Mode, Pixel Mode, Output Mode			
	E-Box Star: Total Mode, Fixture Mode, Pixel Mode, Output Mode			
CONTROL	Display	Via Two Row LCD Display with Control Buttons or RDM communicator		
	Control System	E-box With Self Addressing Feature or Custom Setting Via LCD Display/RDM		
	Power Supply	Integrated		
	Connectivity	E-box Lite	144 of Eminere 1 (@ 230 V and 40m cable) via 1 Output	
		E-box Daisy	144 of Eminere 1 (@ 230 V and 40m cable) via 1 Output	
		E-box Star	144 of Eminere 1 (@ 230 V and 40m cable) via 6 Outputs	
	Length x Width x Height	E-box Lite	220 x 120 x 81 mm (8.66 x 4.72 x 3.18 in.)	
		E-box Daisy	260 x 160 x 91 mm (10.24 x 6.30 x 3.58 in.)	
		E-box Star	280 x 230 x 111 mm (11.02 x 9.06 x 4.37 in.)	
	Weight	1.67 kg 3.85 lbs	2.78 kg 6.13 lbs	4.4 kg 9.7 lbs
Housing	Die-Cast Aluminium Case			
Finish Options	Standard Colour - Graphite Black (RAL 9011) Silver (RAL 9006)			
	Cost Option - Custom RAL Harsh Environment (RAL 9016, RAL 9011)			
Cables / Connections	Cable Grommet (stainless steel)			
Mounting Method	Surface Mount , 4 Mounting Holes			
Protection Factor	IP67 / Suitable For Wet Locations			
IK Rating	IK10			
Cooling System	Convection			
Operating Ambient Temperature	-20 °C / +40 °C (-4 °F / +104 °F)			
CERTIFICATION	Listings	ETL / cETL, CE, RoHS, UKCA		

COMPARISON

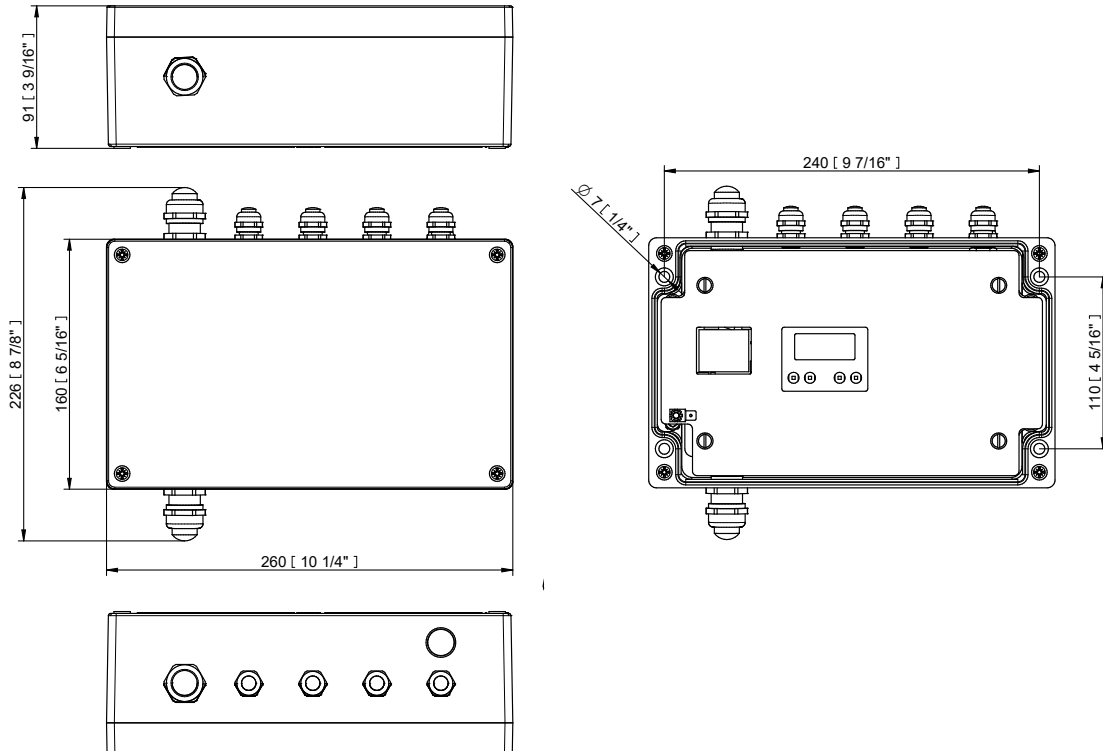
	E-BOX LITE	E-BOX DAISY	E-BOX STAR
Power input	1	1	1
Fixture Output	1	1	6
Total load (current)	16A	16A	16A
DMX control	YES	YES	YES
RDM	YES	YES	YES
Art-Net	NO	YES	YES
Ethernet switch	NO	YES	YES
Kling-Net	NO	YES	YES
sACN	NO	YES	YES
MA Net, MA Net2	NO	YES	YES

E-BOX DIMENSIONS

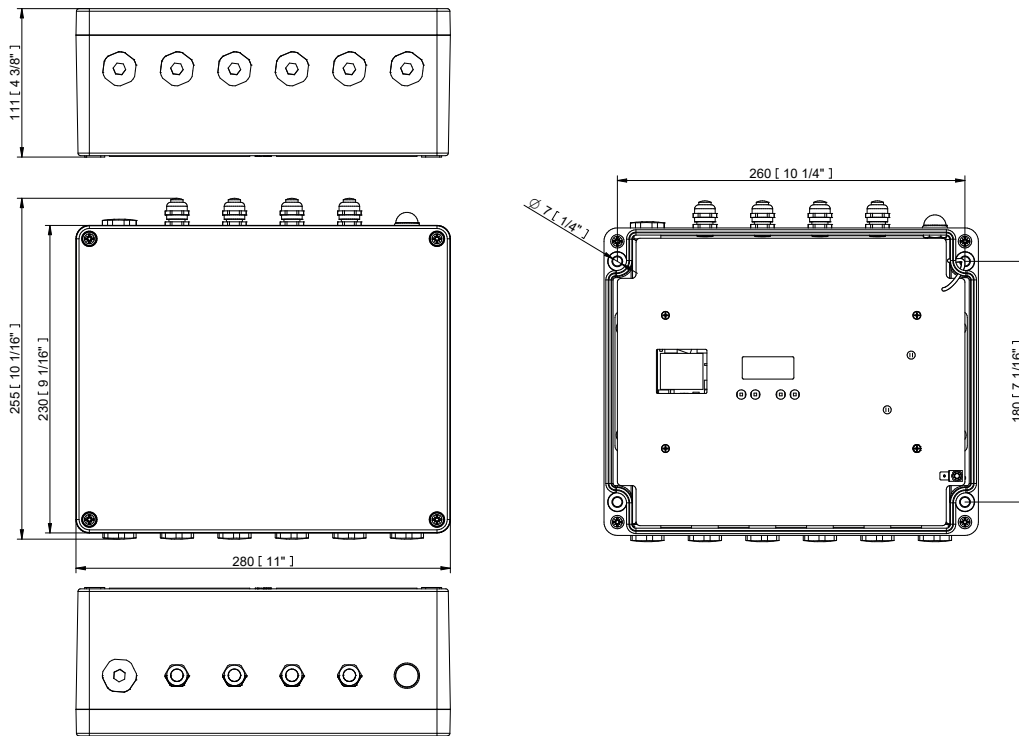
E-BOX LITE



E-BOX DAISY



E-BOX STAR

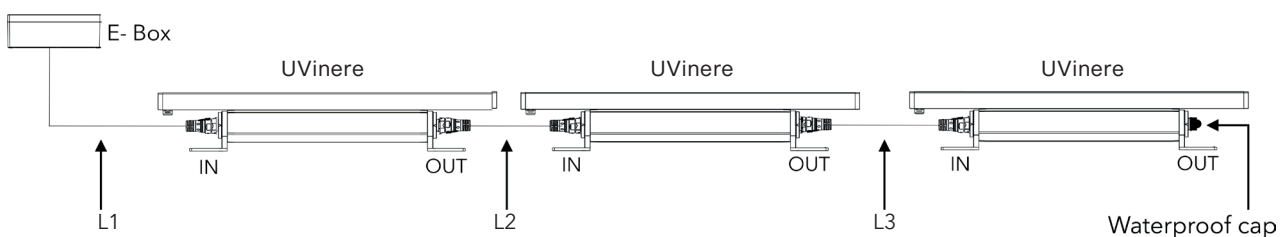


CONNECTIVITY

Following table shows maximum connected UVinere on each output of E-Box with respect of cable length.

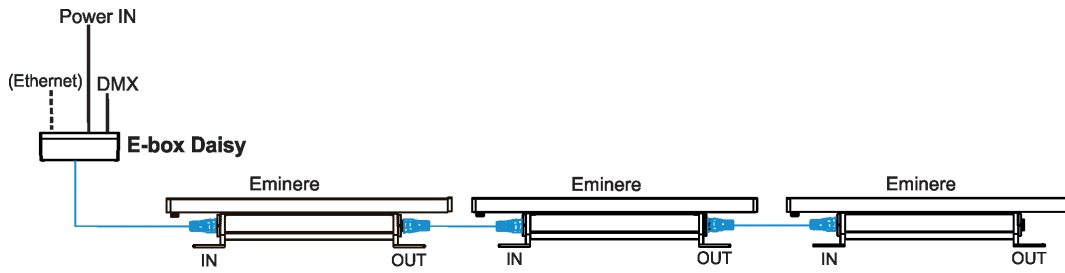
	Cable length (m)	Voltage (V)						Cable length (m)	Voltage (V)				
		100	120	190	230	277			100	120	190	230	277
UVINERE 2	10	34	41	64	78	94	UVINERE 4	10	17	21	33	40	48
	20	30	41	64	78	94		20	15	21	33	40	48
	30	20	28	64	78	94		30	10	15	33	40	48
	50	12	17	43	63	91		50	6	9	22	32	47
	70	8	12	31	45	65		70	4	6	16	23	38
	100	6	9	21	31	46		100	3	4	11	16	23
	200	3	4	11	16	23		200	2	2	5	8	12

* Cable length is a total cable length between E-box and last connected UVinere. Example: Total cable length=L1+L2+L3

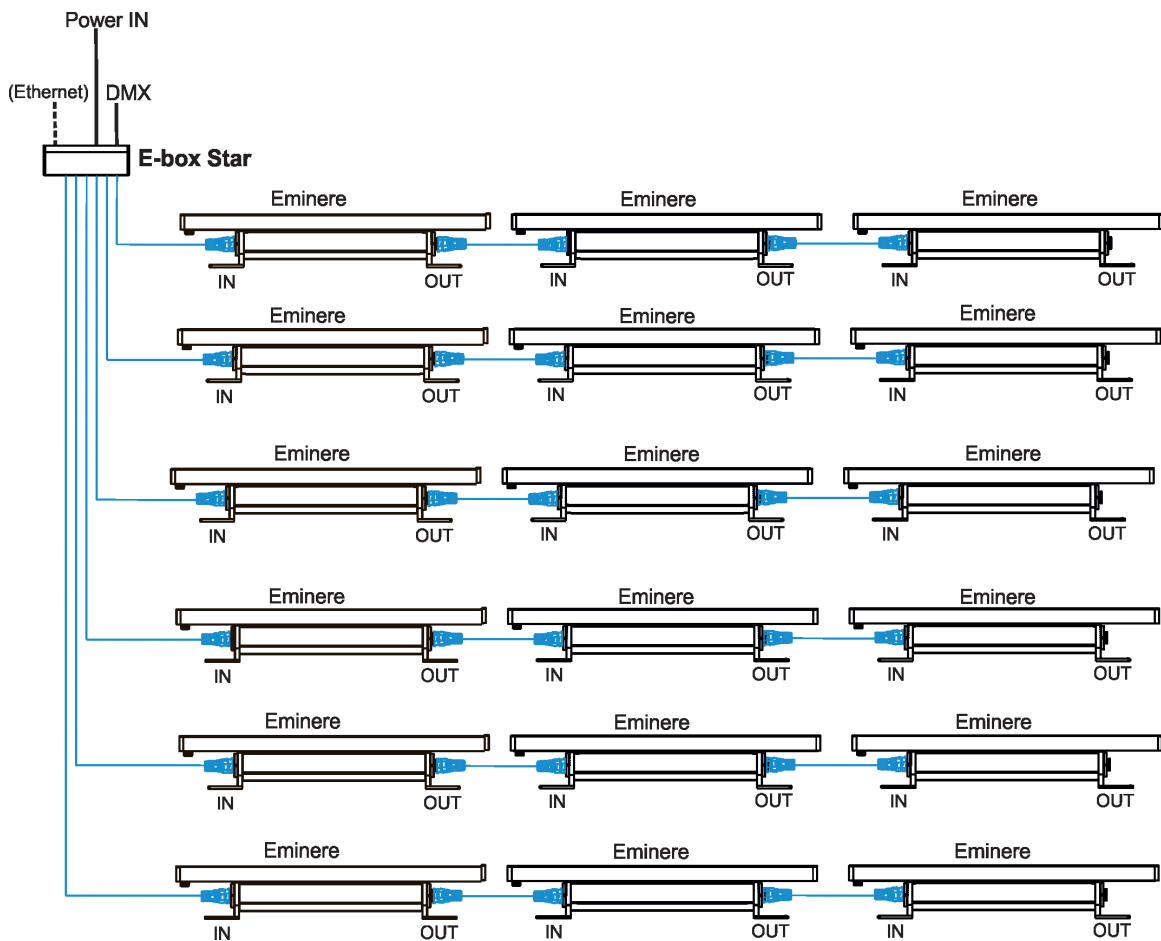


CONNECTION

E-BOX LITE / DAISY

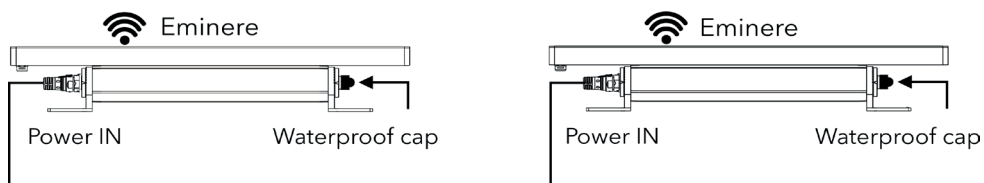


E-BOX STAR



CONNECTION - WIRELESS VERSION

Connection setup, where every Eminere is independently accepting data from WIFI.

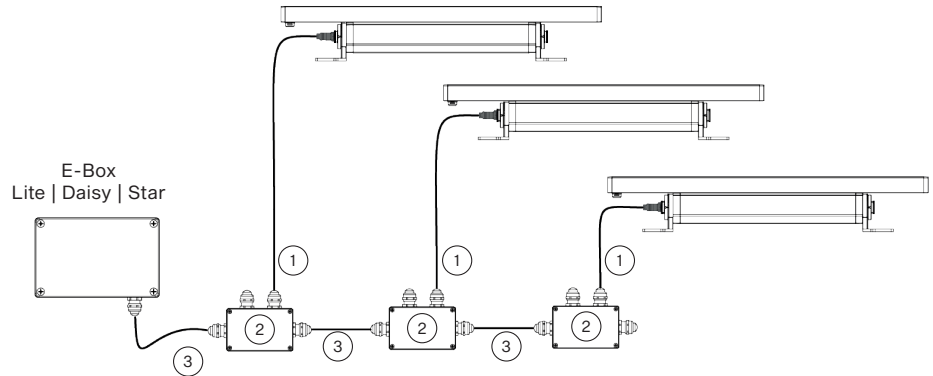


CONTROL AND CONNECTION OPTIONS - US

DMX or ETHERNET via E-BOX

- 1) SJTW 6x 14AWG (13053480)
Standard 1 m with bare-end
- 2) Junction Box for Calumma /
Emienere UV
- 3) SJTW 6x 14AWG (13053480)
or Scope of Others

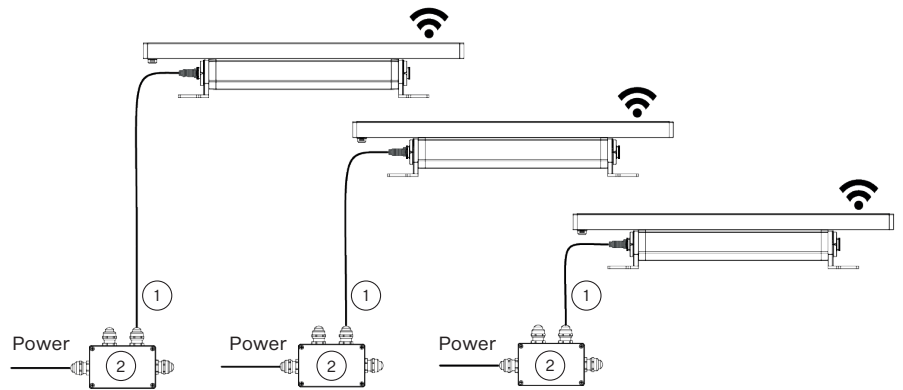
Note: This type of connection is available for S, M, L, and XL versions. E-Box has to be in Pass Through mode only.



WIRELESS DMX

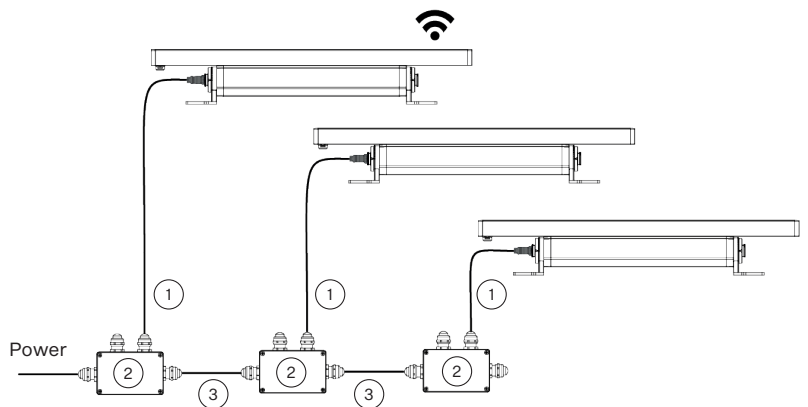
- 1) SJTW 6x 14AWG (13053480),
Standard 1 m with bare-end
- 2) Junction Box for Calumma /
UVinere

Note: This type of connection is available for M, L, XL versions



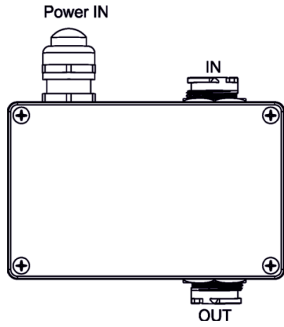
- 1) SJTW 6x 14AWG (13053480)
Standard 1 m with bare-end
- 2) Junction Box for Calumma /
UVinere
- 3) SJTW 6x 14AWG (13053480)
or Scope of Others

Note: This type of connection must have M, L or XL versions as the first luminaire. Next luminaires in a row could be chosen from S, M, L or XL versions.

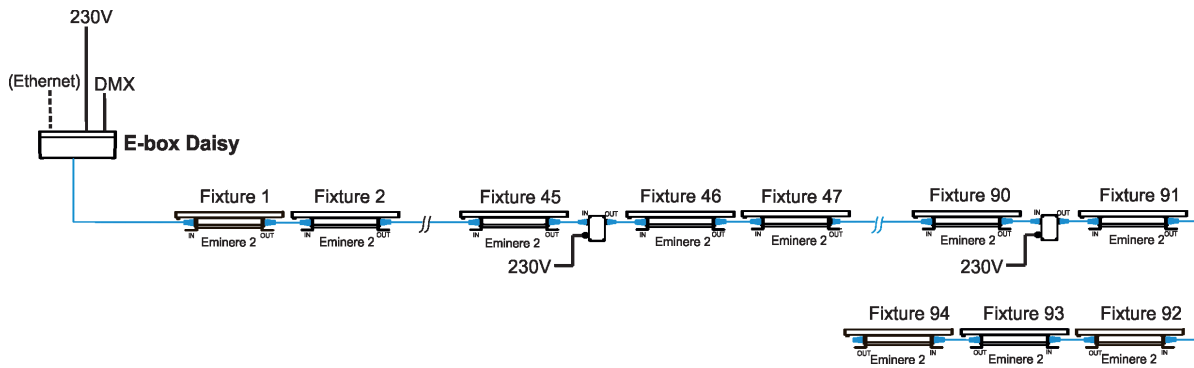


THE BOOSTER BOX

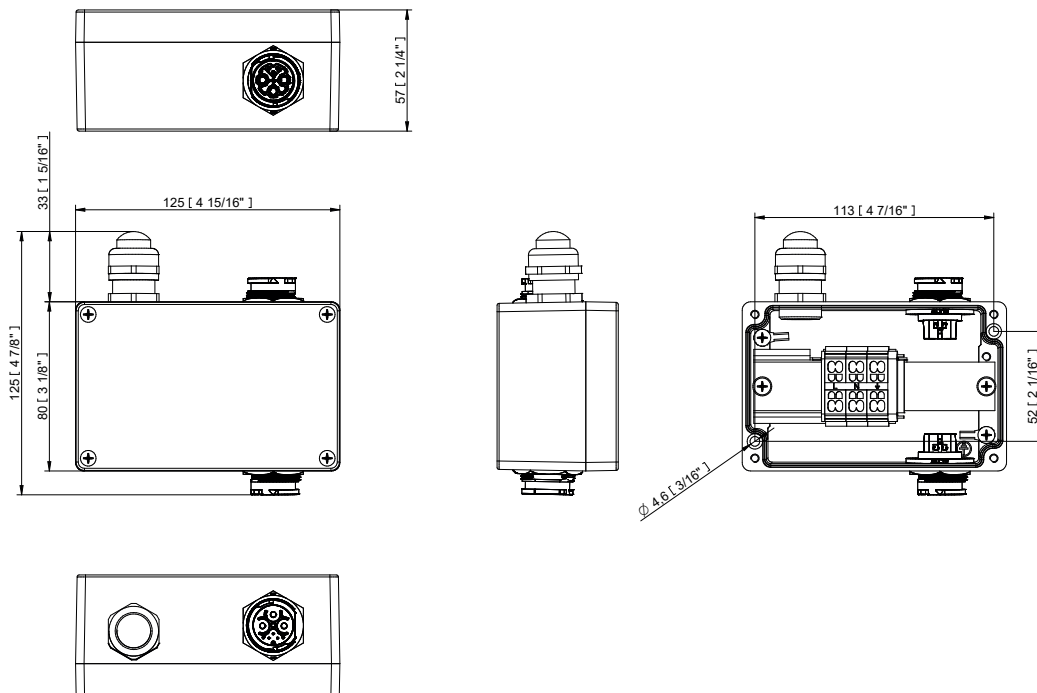
To compensate a voltage drop in a large installation, the Booster boxes have to be connected in the chain of Eminere modules.



Example: E-box Daisy, Power supply= 230V, Cable length=70m, fixture=Eminere 2.
The Booster box has to be connected after every 45th Eminere 2 (fixture 45 and fixture 90) from 94 fixtures.



DIMENSIONS



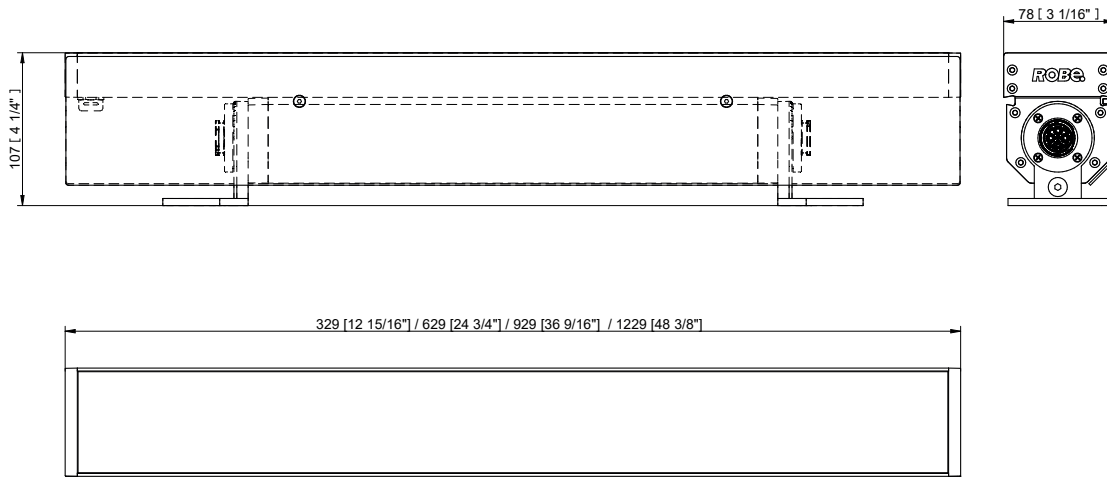
BOOSTER BOX POSITIONS

	Cable length (m)	Max. number of Emineres 1 = 191 (in Standard mode)			
		120 V	190 V	230 V	277 V
EMINERE 1	10 m	83,166	131	159	-
	20 m	83,166	131	159	-
	30 m	58,116,174	131	159	-
	50 m	35,70,105,140,175	88,176	128	186
	70 m	25,50,75,100,125,150,175	63,126,189	92,184	133
	100 m	17,34,51,68,85,102,119,136,153,170,187	44,88,132,176	64,128	93,186
	200 m	9,18,27,36,45,54,60,72,81,90,99,108,117,126,135,144, 153,162,171,180,189,	22,44,66,88,110,132,154,176	32,64,96,128,	47,94,141,188

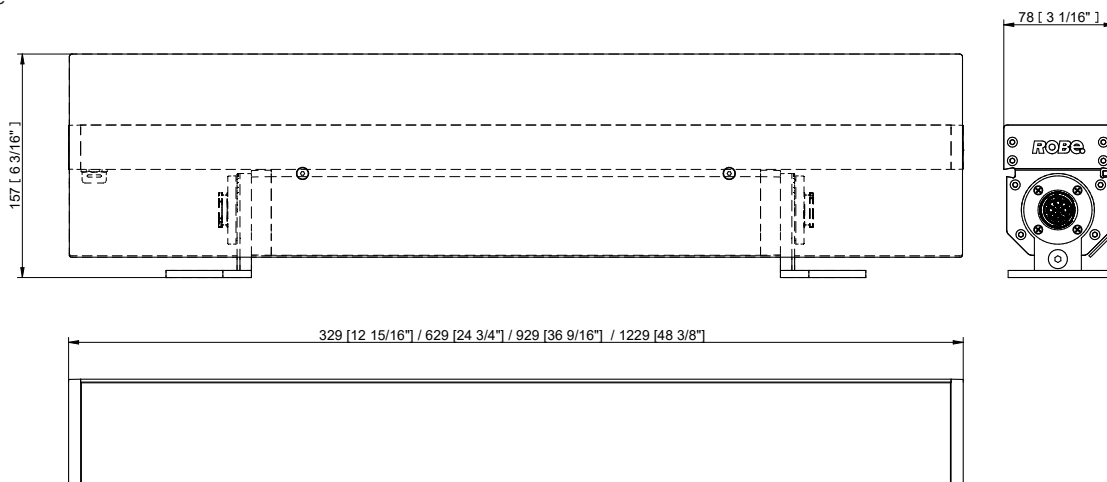
NOTE: For more detail see the User manual.

ACCESSORIES

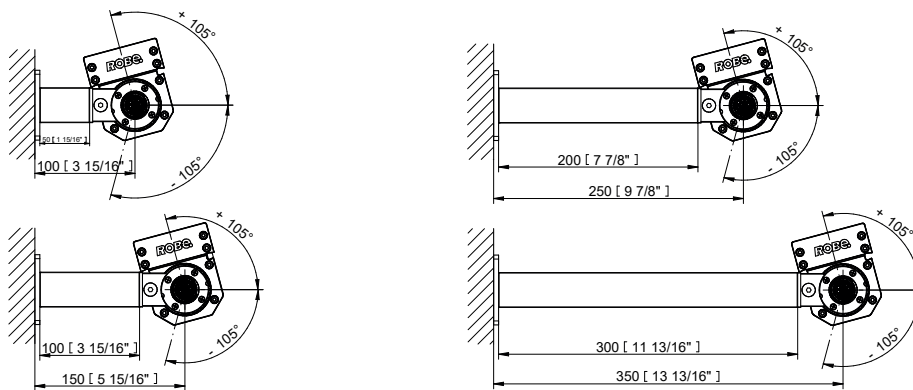
Cable Cover for Eminere



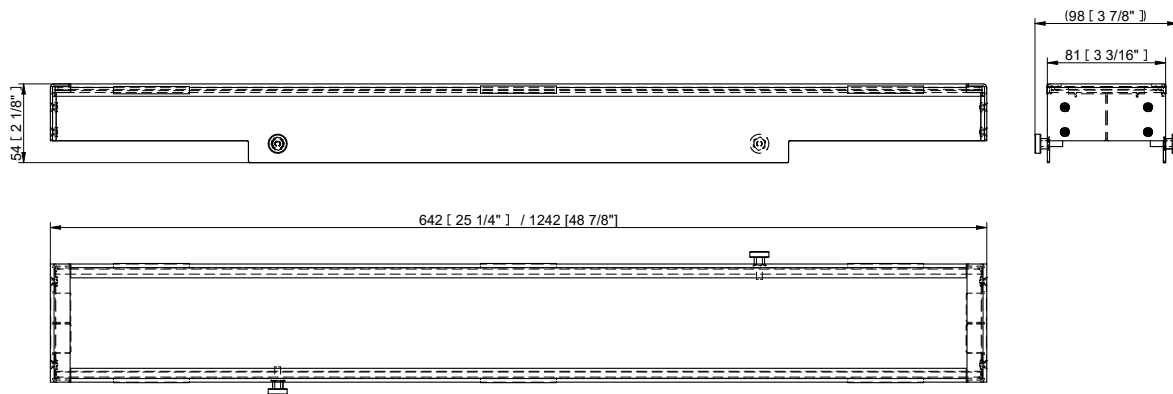
Shield for Eminere



Mounting brackets



Black Glass Adaptor For UVinere



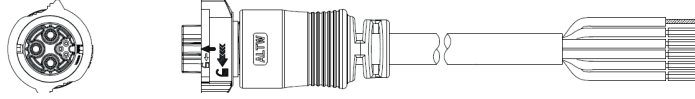
CABLES

Leader Cable

For connecting E-Box with first Eminere. Comes with Waterproof End Cap which has to be installed to the last Eminere's output connector.

Female connector

Female pins



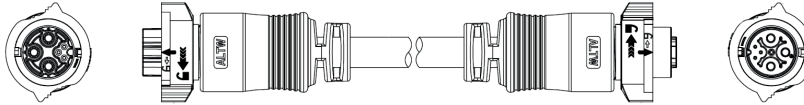
Jumper Cable

For connection between two Emineres.

NOTE: Custom length of Jumper cable depends on the distance between two Eminere luminaires (length includes cable and connectors).

Female connector

Female pins



Female connector

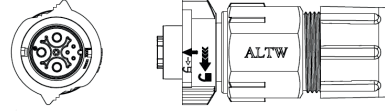
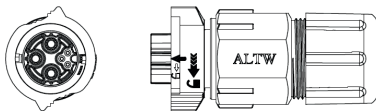
Male pins

Field installable connector

For special cases, where Jumper Cable can't be used. Then use Leader Cable with Field installable connector to make a connection between Emineres.

Female connector

Female pins



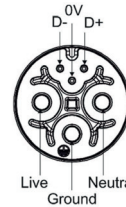
Female connector

Male pins

Output - panel connector
(front view)

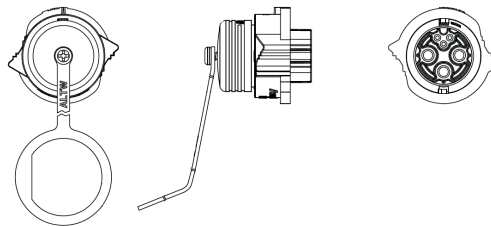


Input - panel connector
(front view)



Waterproof End Cap

Install at the end of line to the last Emineres output connector.



Cable lengths available

IN METRES	LEADER CABLE	JUMPER CABLE
0,25	-	YES
0,5	-	YES
1	-	YES
2	YES	YES
3	-	YES

IN METRES	LEADER CABLE	JUMPER CABLE
5	YES	YES
10	YES	YES
25	YES	-
50	YES	-
Other lengths	On Request	