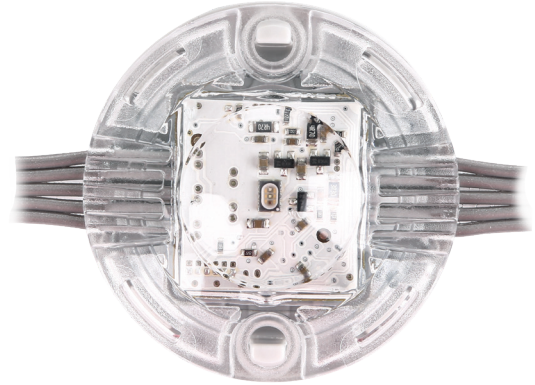


ARCPIX II™

Perfect for complex pixel mapping and media effects on structural surfaces, the ArcPix from Anolis is suitable for both interior and exterior applications. The Plug & Play electronics allow for up to 800 units to be connected to a single ArcPower Unit Pixel. Lighting designers have great flexibility to create dramatic visual effects in a variety of colours. The IP67 rating ensures the fixtures are tough enough to withstand the harshest environmental conditions, giving optimum performance for many years.



KEY FEATURES

Small controllable media fixture covered with clear polycarbonate can be connected into strings of 100pcs up to 100 m in length. Up to 400 of ArcPix II can be connected to ArcPixel Power (800pcs when connected to ArcPower Pixel Unit).

Lumen Output & Light Source

Lumen output of 86 lm is provided by one multi-chip LED.

Projected Lumen Maintenance

The projected lumen maintenance is 90,000 hours (L90B10).

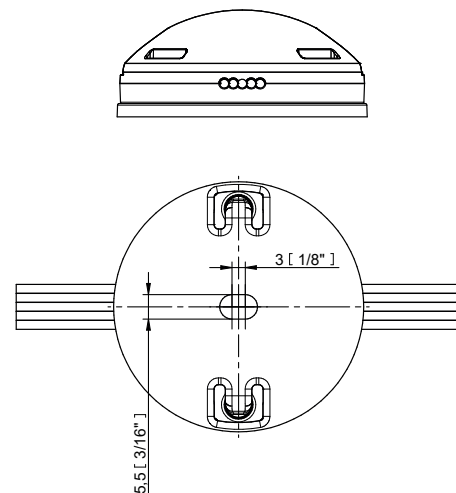
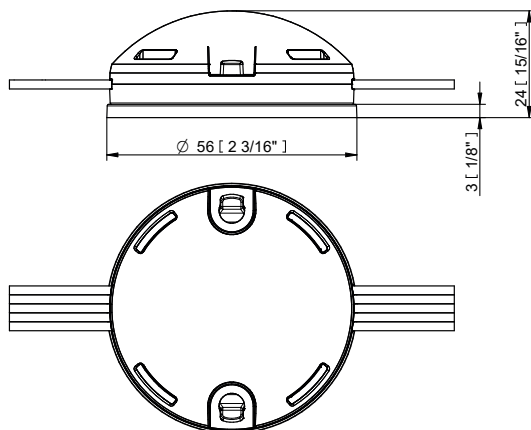
Power Consumption

Low 0.8 W energy consumption provides excellent efficiency at low operating costs.

Physical

Moulded plastic body with clear polycarbonate cover provides a compact and durable lighting solution. The fixture's physical dimensions are 56 × 24 mm (2.21 × 0.95 in) and it weighs 0.1 kg (0.22 lbs).

DIMENSIONS



COLOURS



CONTROL & PROTOCOLS



OPTIC OPTIONS



STANDARD & SPECIFICATION



Warranty
with
Registration



ARCPPIX II PIXEL SPECIFICATION

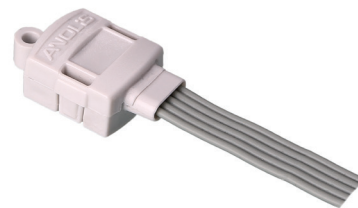
ELECTRICAL	Input Voltage	48 V
	Typical Power Consumption	0.8 W / 48 V
OPTICAL	Light Source	1 x MC Mid Power LED
	Colour Variants	RGBCW (W - 6500 K)
	Beam Angle	non-optic
	Lumen Output Delivered	86 lm (RGBW, W - 6500 K, all LEDs on full)
	Projected Lumen Maintenance	L90B10 >90.000 hrs, Ta = 25°C / 77°F
CONTROL	Control System & Power Supply	ArcPixel Power, ArcPower Unit Pixel
PHYSICAL	Width x Height	Ø 56 x 24 (Ø 2.21 x 0.95 in.)
	Weight	0.1 kg / 0.22 lbs
	Housing	Moulded Plastic Polycarbonate Cover
	Cables / Connections	5 Wire Flat Cable AWM 295720AWG- Factory Fitted Connector
	Mounting Method	Mounting Plate or Direct Fitting
	Protection Factor	IP67 / Suitable For Wet Locations
	IK Rating	IK09
	Cooling System	Convection
	Operating Ambient Temperature	-20 °C / +50 °C (-4 °F / +122 °F)
	Operating Temperature	+50 °C @ Ambient +40 °C (+122 °F @ Ambient +104 °F)
CERTIFICATION	Listings	ETL / cETL, CE, RoHS, UKCA
Not Included Items		
ACCESSORIES		Connection Cable
		Connection Box
		Termination Box (1 per run)

ACCESSORIES

Connection Box

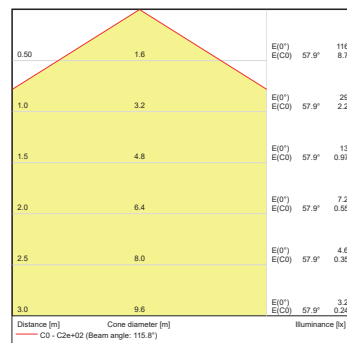
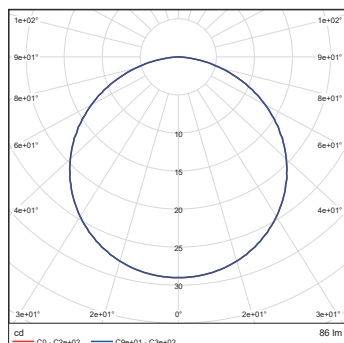


Termination Box



PHOTOMETRIC DATA

ArcPix II RGBCW



PHOTOMETRIC OVERVIEW

Lumen Output (lm)	
RGBCW (6500 K)	
No Optic - Direct View	86