

SUBDRIVE™ 1

Specifically designed for ArcSource Submersible II, the SubDrive power supply offers only low voltage and data transfer to fixture. With SubDrive 1, ArcSource Submersible II provides free hands for installation wiring and technical room requirements, while also offering several control modes for single or multiple fixture control, predefined tones of whites, or even \pm green correction.



KEY FEATURES

Input & Output

With an input voltage which can be between 100 and 277 V for correct function, the source is providing one low voltage output – 24 V.

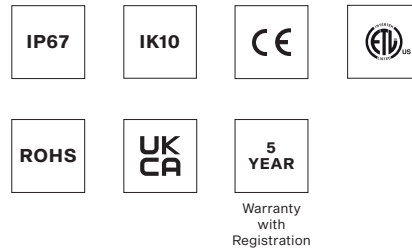
Control & Protocol

This power supply has a LCD display for easy setting and programming and control is realised through DMX 512 and RDM protocols. The DMX can be also realised in a wireless option and you can preprogram 3 custom programs in stand-alone mode.

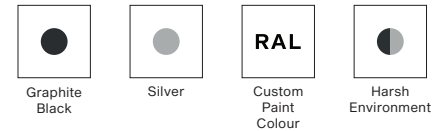
Physical

Offering a 5 year warranty, the SubDrive 1 is also IP67 and IK10 certified.

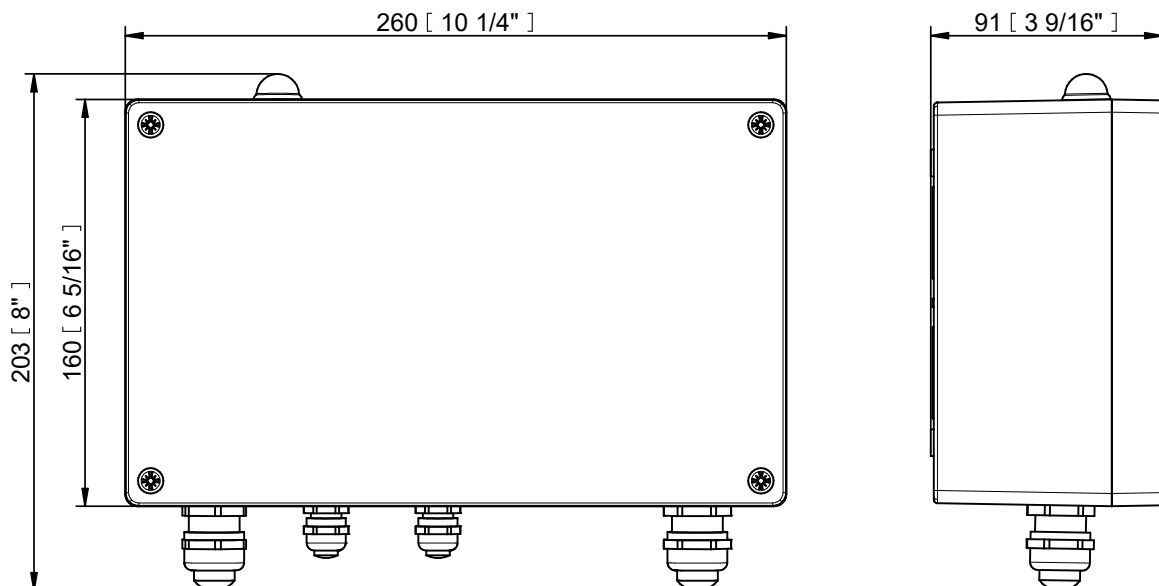
STANDARD & SPECIFICATION



FINISH OPTIONS



DIMENSIONS



SUBDRIVE 1 SPECIFICATION

| | | |
|-----------------------------|---|---|
| ELECTRICAL | Input Voltage | 100 - 277 V AC 50 / 60 Hz |
| | Typical Power Consumption | Maximum mode (1A) – 90W @SubDrive 1 |
| | | Medium mode (700mA) - 70W @SubDrive 1 |
| | | Minimum mode (350mA) - 35W @SubDrive 1 |
| | Max. Output Current | Maximum mode (1000 mA) Medium mode (700 mA) Minimum mode (350 mA) |
| LED Output Voltage | 24V DC | |
| CONTROL | Display | 4 - Digit LED, 4 buttons |
| | Wireless DMX (Option) | Lumen Radio CRMX Technology |
| | Interface Protocol | USITT DMX512, RDM |
| | Control System | Third Party DMX Controllers |
| | Operating Modes | DMX, Master/Slave, Stand-alone |
| | Programs/ Functions/ Features | Editable Program: 3 (up to 40 steps each) |
| | Settings / Addressing | Via RDM communicator or Robe Universal Interface (RUNIT) |
| | Width x Height x Depth | 260 x 160 x 91 mm (10.24 x 6.30 x 3.58 in.) |
| Weight | 2.91 kg 6.42 lbs | |
| Number of LED Output zones | 1 | |
| Max. Load Per Zone | 1x ArcSource Submersible II | |
| Total Load | 1x ArcSource Submersible II | |
| Max Cable Length | 100m (Minimum mode) 50m (Medium mode) 25m (Maximum mode) | |
| LED Output Connection | Terminal Block | |
| DMX Connection | Terminal Block | |
| Power Connection | Terminal Block | |
| Finish Options | Standard Colour - Graphite Black (RAL 9011) Silver (RAL 9006) | |
| | Cost Option - Custom RAL Harsh Environment (RAL 9016, RAL 9011) | |
| Mounting Method | 4 Mounting Holes | |
| Protection Factor | IP67 / Suitable For Wet Location | |
| IK Rating | IK10 | |
| Cooling System | Convection | |
| Operating Temperature Range | -20 °C / +40 °C (-4 °F / +104 °F) | |
| CERTIFICATION | Listings | ETL / cETL, CE, RoHS, UKCA |
| ACCESSORIES | for SubDrive 1/ 4 | Reducing Seal for Cable Diameter 4-8mm (1 pcs Included) |