

E-BOX™ REMOTE

Specifically designed as an external low voltage power supply for the Eminere Remote series of LED Luminaires, use of the E-Box Remote results in a significantly more compact profile of the Eminere fixture, ideal for applications where high output is needed in a small form factor. A wide range of control protocols is supported including DMX/RDM, optional wireless DMX/RDM via Lumen Radio CRMX technology, Art-Net, sACN, MA-NET, MANet2, and Kling-Net. The durable enclosure provides excellent environmental protection with IP65 and IK10 ratings, and a 5 year warranty.



KEY FEATURES

Output

The E-Box Remote with double output allows the connection of up to 20 Eminere Remote 1 luminaires per device.

Control

E-Box Remote can be easily configured by its LCD display. Control is possible with DMX/RDM, Art-Net, MA-Net, MA-Net2, sACN, and Kling-Net protocols. Wireless DMX/RDM control is available with the Lumen Radio CRMX option.

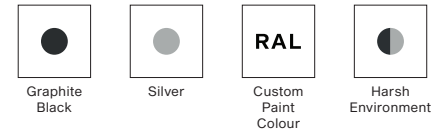
Physical

E-Box Remote holds IP65 and IK10 certifications for robust reliability.

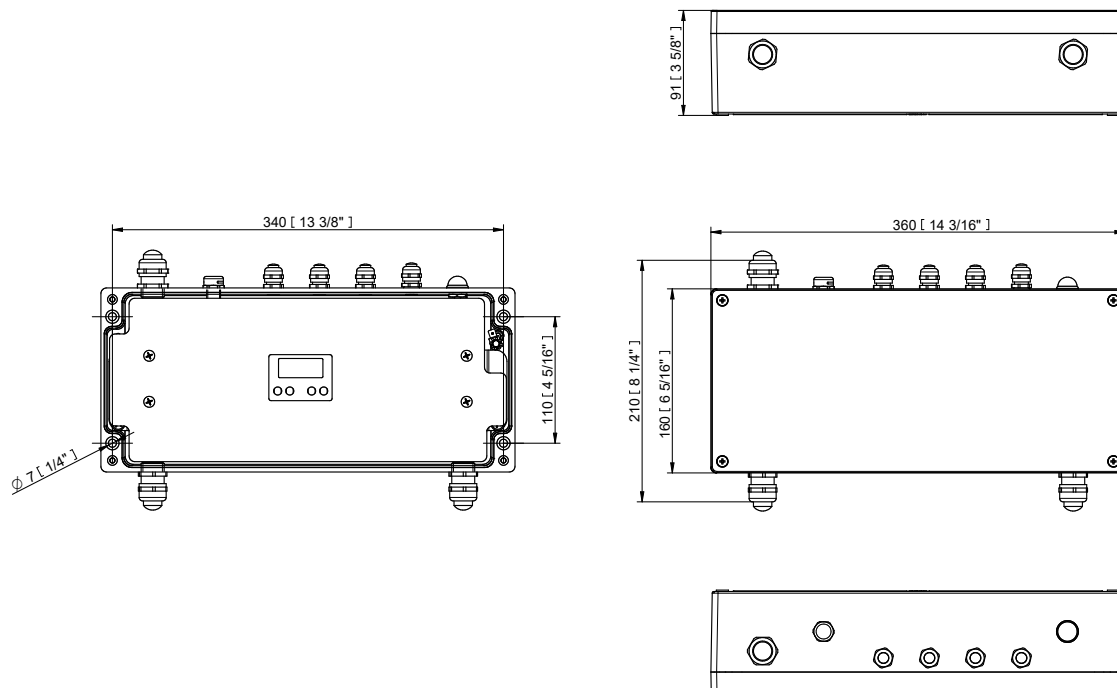
STANDARD & SPECIFICATION



FINISH OPTIONS



DIMENSIONS



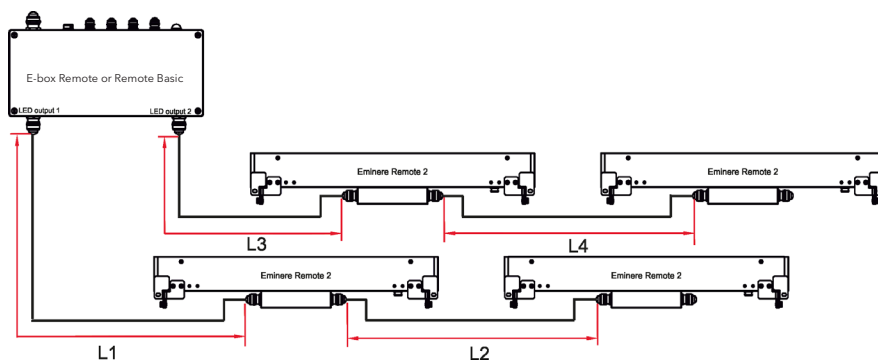
E-BOX REMOTE SPECIFICATION

ELECTRICAL	Input Voltage	120 - 277 V AC 50 / 60 Hz
	Typical Power Consumption	520 W
CONTROL	Wireless DMX (Option)	Lumen Radio CRMX Technology
	Interface Protocol	USITT DMX512+RDM, ArtNet, MA Net, MA Net2, sACN, Kling-Net
	Operating Modes	Fixture Mode, Pixel Mode, Output Mode
	Display	Via Two Row LCD Display with Control Buttons or RDM communicator
	Control System	E-box With Self Addressing Feature or Custom Setting Via LCD Display/RDM
	Power Supply	Integrated in E-box Remote
	Connectivity	16 pcs of Eminere Remote 1 (50m cable - total length) via 1 Output, 20 pcs in total for both Outputs (25m cable - total length)
PHYSICAL	Width x Height x Depth	360 x 210 x 91 mm (14.17 x 8.27 x 3.58 in.)
	Weight	5.5 kg / 12.13 lbs
	Number of LED Output zones	2
	Max. Load Per Output	16 pcs of Eminere Remote 1 (50m cable) via 1 Output
	Cable Length per E-Box	Max. 25 m (@ 20 pcs) Max. 50 m (@ 16 pcs) Max. 75 m (@ 13 pcs) Max. 100 m (@ 10 pcs)
	Housing	Die-Cast Aluminium Case
	Finish Options	Standard Colour - Graphite Black (RAL 9011) Silver (RAL 9006) Cost Option - Custom RAL Harsh Environment (RAL 9016, RAL 9011)
	Cables / Connections	Cable Grommet (stainless steel)
	Mounting Method	Surface Mount, 4 Mounting Holes
	Protection Factor	IP65 / Suitable For Wet Locations
	IK Rating	IK10
Cooling System	Convection	
Operating Ambient Temperature	-20 °C / +40 °C (-4 °F / +104 °F)	
CERTIFICATION	Listings	ETL / cETL, CE, RoHS, UKCA

CONNECTION

The table states max. number of Eminere Remote (UV) modules connected to the E-box Remote.

Cable length (m)	Max. number of Emineres Remote connected to the E-Box Remote			
	EMINERE REMOTE 1	EMINERE REMOTE 2 (UV)	EMINERE REMOTE 3	EMINERE REMOTE 4 (UV)
25	20	10	6	5
50	16	8	5	4
75	13	6	4	3
100	10	5	3	2



* Cable length is a total cable length between E-box Remote (or Remote Basic) and last connected Eminere Remote. Example: Total cable length=L1+L2+L3+L4